

Continuous Auger Tools

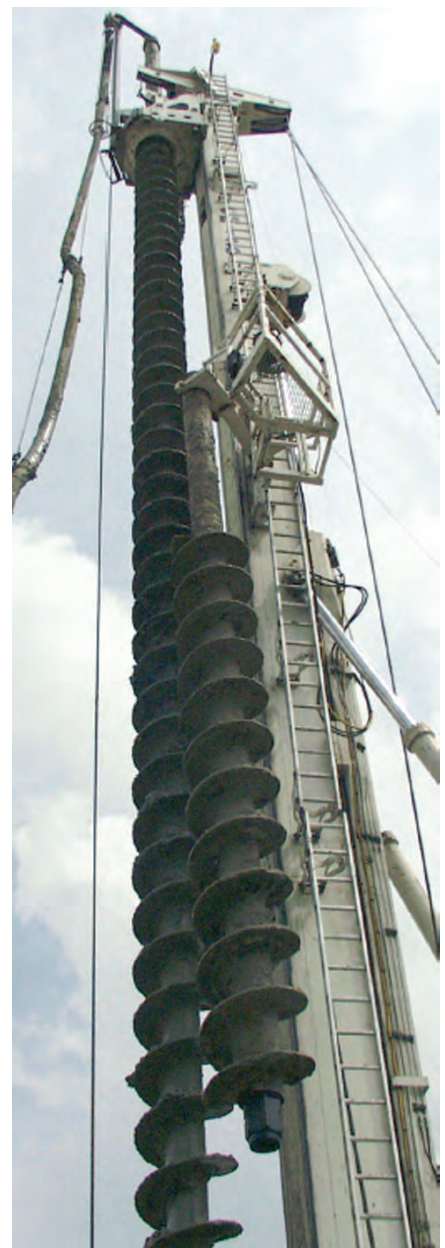




Continuous Flight Auger

CFA drilling

Tools set is provided by starter teeth element plus continuous additional auger rods element requested depth. Soil material removed comes out to soil surface by auger rod spirals.



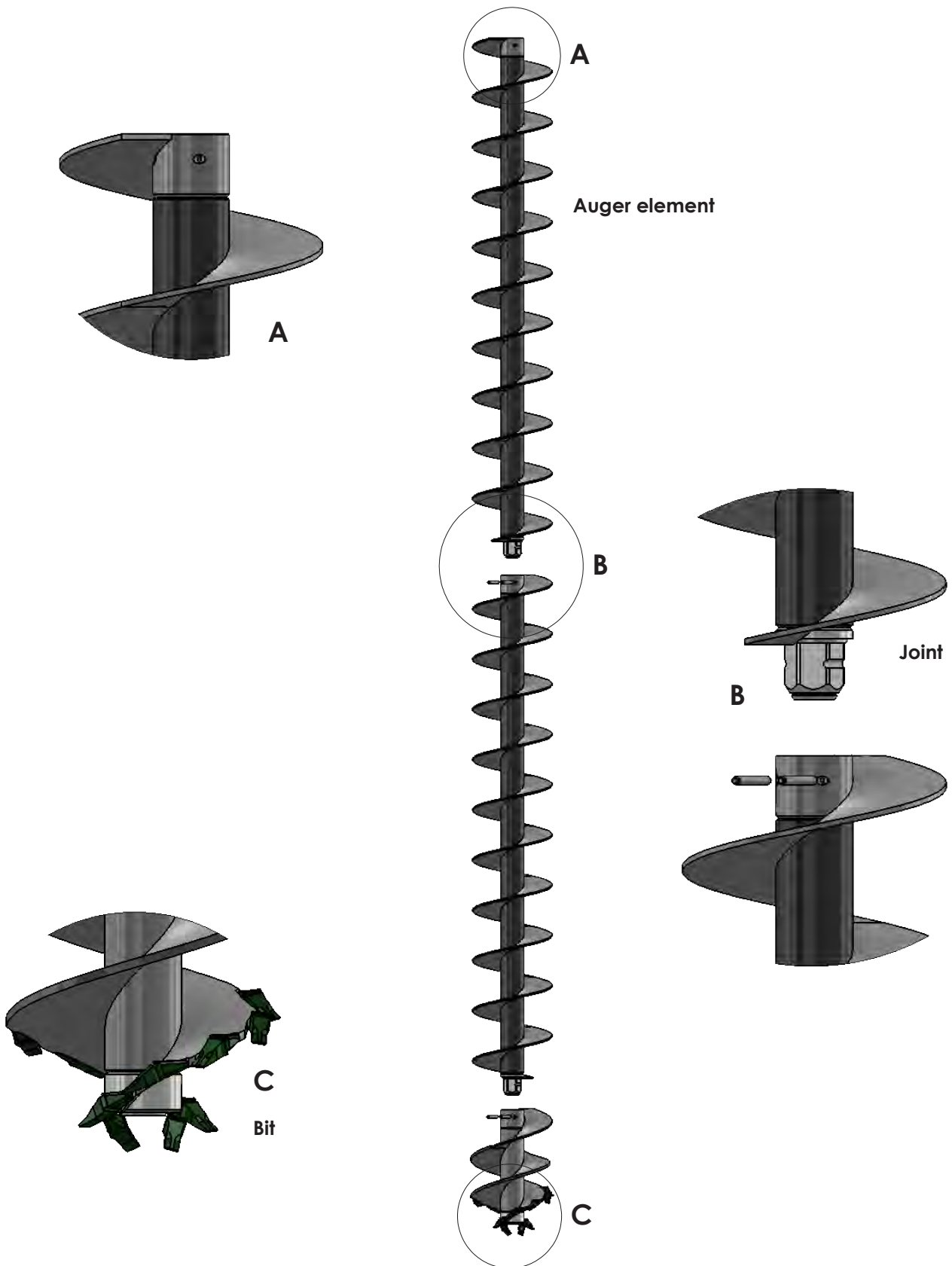
Tools detail.

It is mandatory to make appropriate tool choice according soil type plus auger rods joint connected according full pile depth.

Connection joint depends on inside pumped concrete hole and rig rotation torque.

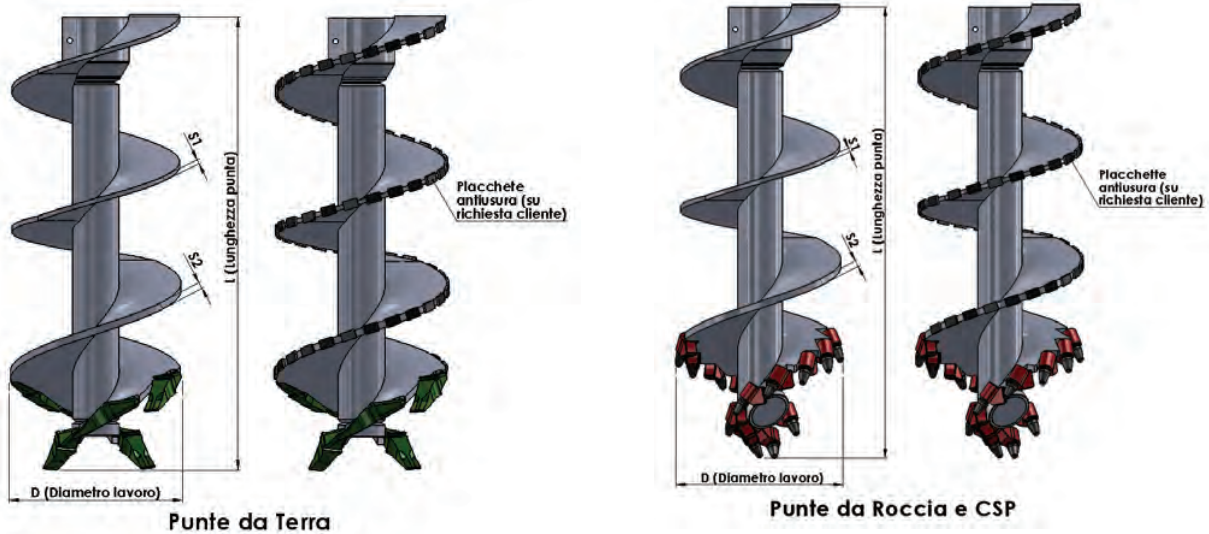
Availability rods joint HD4, HD5, XHD5, 25HD5 can be connected to rotary desk by appropriate adaptor, if necessary.

Configuration



Continuous Flight Auger

Nominal diameter Bits



Light series HD4 Soil

Heavy series HD4 Soil

Code	Nominal D. (mm)	Exavation D.(mm)	S2/S1	Appr. Weight kg	Code	Nominal D. (mm)	Exavation D.(mm)	S2/S1	Appr. Weight kg
03382341	300	300	25/15	154	3382416	300	300	40/25	180
03382342	350	350	25/15	171	3382417	350	350	40/25	204
03382343	400	400	25/15	198	3382418	400	400	40/25	238
03382344	450	450	25/15	220	3382419	450	450	40/25	277
03382345	500	500	25/15	241	3382420	500	500	40/25	316
03382346	550	550	25/15	271	3382421	550	550	40/25	365
03382347	600	600	25/15	307	3382422	600	600	40/25	408
03382348	650	650	25/15	313	3382423	650	650	40/25	439
03382349	700	700	25/15	350	3382424	700	700	40/25	494
03382350	750	750	25/15	366	3382425	750	750	40/25	552
03382351	800	800	25/15	432	3382426	800	800	40/25	600
03382352	850	850	25/15	434	3382427	850	850	40/25	655
03382353	900	900	25/15	428	3382428	900	900	40/25	656

Light series HD4 Rock

Heavy series HD4 Rock

Code	Nominal D. (mm)	Exavation D.(mm)	S2/S1	Appr. Weight kg	Code	Nominal D. (mm)	Exavation D.(mm)	S2/S1	Appr. Weight kg
03382354	300	290	25/15	159	03382429	300	290	40/25	195
03382355	350	340	25/15	181	03382430	350	340	40/25	225
03382356	400	390	25/15	199	03382431	400	390	40/25	251
03382357	450	440	25/15	225	03382432	450	440	40/25	297
03382358	500	490	25/15	250	03382433	500	490	40/25	341
03382359	550	540	25/15	272	03382434	550	540	40/25	384
03382360	600	590	25/15	311	03382435	600	590	40/25	434
03382361	650	640	25/15	321	03382436	650	640	40/25	467
03382362	700	690	25/15	349	03382437	700	690	40/25	516
03382363	750	740	25/15	370	03382438	750	740	40/25	582
03382364	800	790	25/15	435	03382439	800	790	40/25	632
03382365	850	840	25/15	520	03382440	850	840	40/25	695
03382366	900	890	25/15	481	03382441	900	890	40/25	728

Light series HD4 CSP

Heavy series HD4 CSP

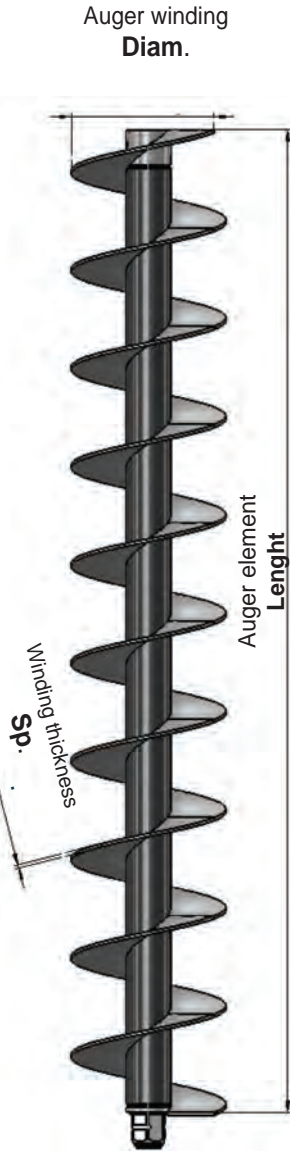
Code	Nominal D. (mm)	Exavation D.(mm)	S2/S1	Appr. Weight kg	Code	Nominal D. (mm)	Exavation D.(mm)	S2/S1	Appr. Weight kg
03382367	300	270	25/15	156	03382442	300	270	40/25	195
03382368	350	320	25/15	178	03382443	350	320	40/25	221
03382369	400	370	25/15	196	03382444	400	370	40/25	247
03382370	450	420	25/15	221	03382445	450	420	40/25	292
03382371	500	470	25/15	242	03382446	500	470	40/25	331
03382372	550	520	25/15	287	03382447	550	520	40/25	378
03382373	600	570	25/15	307	03382448	600	570	40/25	428
03382374	650	620	25/15	314	03382449	650	620	40/25	457
03382375	700	670	25/15	345	03382450	700	670	40/25	509
03382376	750	710	25/15	357	03382451	750	710	40/25	569
03382377	800	740	25/15	414	03382452	800	740	40/25	622
03382378	850	810	25/15	489	03382453	850	810	40/25	680
03382379	900	840	25/15	450	03382454	900	840	40/25	668

Nominal diameter Element

Light series HD4 sp.15mm

Heavy series HD4 sp.20mm

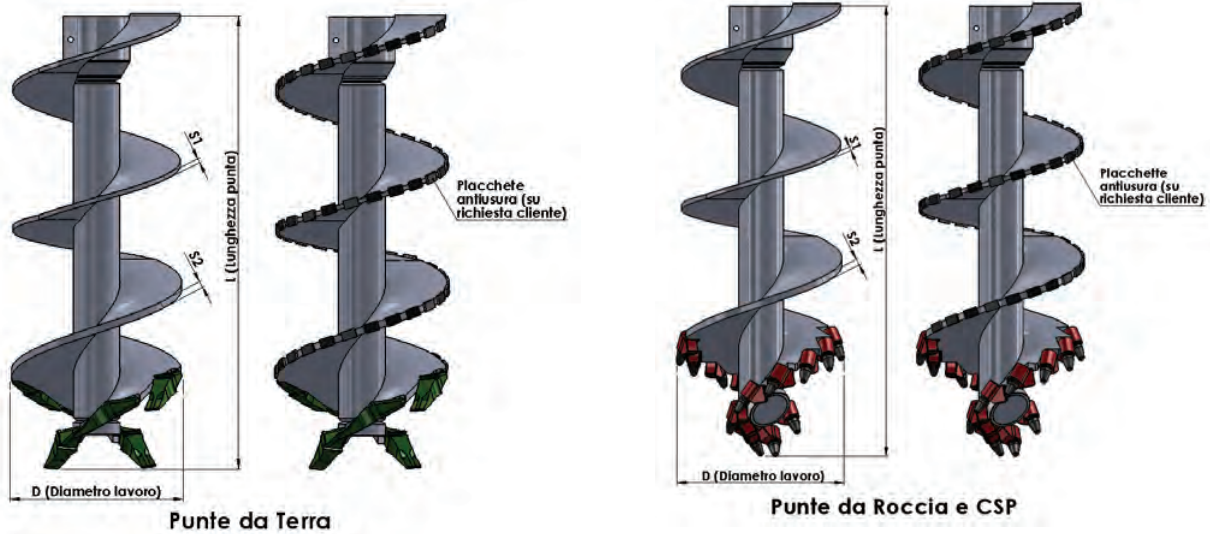
Standard series HD4 sp.25mm



Code	Nominal Diam. (mm)	CFA D.(mm)	Lenght (mm)	Appr. Weight kg	Code	Nominal Diam. (mm)	CFA D.(mm)	Lenght (mm)	Appr. Weight kg	Code	Nominal Diam. (mm)	CFA D.(mm)	Lenght (mm)	Appr. Weight kg
03382300	300	270	3000	278	03382455	300	270	3000	303	03383500	300	270	3000	328
03382301	300	270	4500	403	03382468	300	270	4500	441	03383513	300	270	4500	478
03382302	300	270	6000	529	03382481	300	270	6000	579	03383526	300	270	6000	629
03382303	350	320	3000	306	03382456	350	320	3000	341	03383501	350	320	3000	376
03382304	350	320	4500	447	03382469	350	320	4500	499	03383514	350	320	4500	550
03382305	350	320	6000	587	03382482	350	320	6000	656	03383527	350	320	6000	725
03382306	400	370	3000	314	03382457	400	370	3000	353	03383502	400	370	3000	388
03382307	400	370	4500	458	03382470	400	370	4500	513	03383515	400	370	4500	569
03382308	400	370	6000	602	03382483	400	370	6000	676	03383528	400	370	6000	749
03382309	450	420	3000	349	03382458	450	420	3000	398	03383503	450	420	3000	446
03382310	450	420	4500	511	03382471	450	420	4500	584	03383516	450	420	4500	656
03382311	450	420	6000	672	03382484	450	420	6000	769	03383529	450	420	6000	865
03382312	500	470	3000	368	03382459	500	470	3000	423	03383504	500	470	3000	476
03382313	500	470	4500	539	03382472	500	470	4500	621	03383517	500	470	4500	702
03382314	500	470	6000	710	03382485	500	470	6000	820	03383530	500	470	6000	927
03382315	550	520	3000	404	03382460	550	520	3000	471	03383505	550	520	3000	536
03382316	550	520	4500	594	03382473	550	520	4500	694	03383518	550	520	4500	791
03382317	550	520	6000	783	03382486	550	520	6000	917	03383531	550	520	6000	1046
03382318	600	570	3000	444	03382461	600	570	3000	524	03383506	600	570	3000	602
03382319	600	570	4500	653	03382474	600	570	4500	774	03383519	600	570	4500	890
03382320	600	570	6000	862	03382487	600	570	6000	1023	03383532	600	570	6000	1178
03382321	650	620	3000	463	03382462	650	620	3000	549	03383507	650	620	3000	631
03382322	650	620	4500	681	03382475	650	620	4500	811	03383520	650	620	4500	934
03382323	650	620	6000	899	03382488	650	620	6000	1072	03383533	650	620	6000	1237
03382324	700	670	3000	509	03382463	700	670	3000	611	03383508	700	670	3000	708
03382325	700	670	4500	750	03382476	700	670	4500	903	03383521	700	670	4500	1049
03382326	700	670	6000	991	03382489	700	670	6000	1195	03383534	700	670	6000	1390
03382327	750	710	3000	514	03382464	750	710	3000	617	03383509	750	710	3000	714
03382328	750	710	4500	757	03382477	750	710	4500	913	03383522	750	710	4500	1058
03382329	750	710	6000	1001	03382490	750	710	6000	1208	03383535	750	710	6000	1402
03382330	800	740	3000	545	03382465	800	740	3000	658	03383510	800	740	3000	766
03382331	800	740	4500	804	03382478	800	740	4500	974	03383523	800	740	4500	1136
03382332	800	740	6000	1063	03382491	800	740	6000	1290	03383536	800	740	6000	1506
03382333	850	790	3000	589	03382466	850	790	3000	718	03383511	850	790	3000	840
03382334	850	790	4500	871	03382479	850	790	4500	1064	03383524	850	790	4500	1247
03382335	850	790	6000	1153	03382492	850	790	6000	1410	03383537	850	790	6000	1653
03382336	900	840	3000	575	03382467	900	840	3000	698	03383512	900	840	3000	811
03382337	900	840	4500	849	03382480	900	840	4500	1035	03383525	900	840	4500	1205
03382338	900	840	6000	1123	03382493	900	840	6000	1371	03383538	900	840	6000	1598

Continuous Flight Auger

Nominal diameter Bits



Code	Nominal D. (mm)	Exavation D.(mm)	S2/S1	Appr. Weight kg	Code	Nominal D. (mm)	Exavation D.(mm)	S2/S1	Appr. Weight kg
03382135	400	400	25/15	194	03382220	400	400	40/25	246
03382136	450	450	25/15	212	03382221	450	450	40/25	274
03382137	500	500	25/15	236	03382222	500	500	40/25	313
03382138	550	550	25/15	262	03382223	550	550	40/25	355
03382139	600	600	25/15	289	03382224	600	600	40/25	380
03382140	650	650	25/15	314	03382225	650	650	40/25	438
03382141	700	700	25/15	344	03382226	700	700	40/25	488
03382142	750	750	25/15	369	03382227	750	750	40/25	527
03382143	800	800	25/15	399	03382228	800	800	40/25	551
03382144	850	850	25/15	433	03382229	850	850	40/25	630
03382145	900	900	25/15	458	03382230	900	900	40/25	670

Light series HD5 Rock

Heavy series HD5 Rock

Code	Nominal D. (mm)	Exavation D.(mm)	S2/S1	Appr. Weight kg	Code	Nominal D. (mm)	Exavation D.(mm)	S2/S1	Appr. Weight kg
03382146	400	390	25/15	204	03382231	400	390	40/25	246
03382147	450	440	25/15	212	03382232	450	440	40/25	274
03382148	500	490	25/15	236	03382233	500	490	40/25	313
03382149	550	540	25/15	262	03382234	550	540	40/25	355
03382150	600	590	25/15	289	03382235	600	590	40/25	380
03382151	650	640	25/15	314	03382236	650	640	40/25	438
03382152	700	690	25/15	344	03382237	700	690	40/25	488
03382153	750	740	25/15	369	03382238	750	740	40/25	527
03382154	800	790	25/15	399	03382239	800	790	40/25	551
03382155	850	840	25/15	433	03382240	850	840	40/25	630
03382156	900	890	25/15	458	03382241	900	890	40/25	708

Light series HD5 CSP

Heavy series HD5 CSP

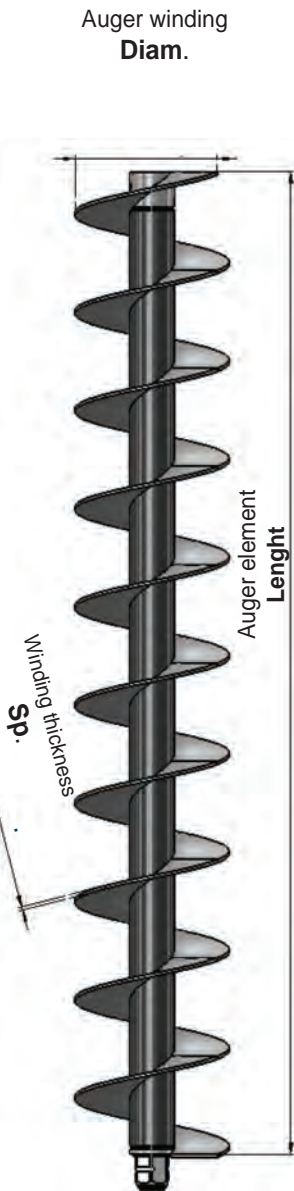
Code	Nominal D. (mm)	Exavation D.(mm)	S2/S1	Appr. Weight kg	Code	Nominal D. (mm)	Exavation D.(mm)	S2/S1	Appr. Weight kg
03382157	400	370	25/15	201	03382242	400	370	40/25	242
03382158	450	420	25/15	209	03382243	450	420	40/25	270
03382159	500	470	25/15	233	03382244	500	470	40/25	308
03382160	550	520	25/15	259	03382245	550	520	40/25	349
03382161	600	570	25/15	286	03382246	600	570	40/25	374
03382162	650	620	25/15	310	03382247	650	620	40/25	432
03382163	700	670	25/15	340	03382248	700	670	40/25	481
03382164	750	710	25/15	360	03382249	750	710	40/25	512
03382165	800	740	25/15	379	03382250	800	740	40/25	520
03382166	850	810	25/15	413	03382251	850	810	40/25	598
03382167	900	840	25/15	437	03382252	900	840	40/25	669

Nominal diameter Element

Light series HD5 sp.15mm

Heavy series HD5 sp.20mm

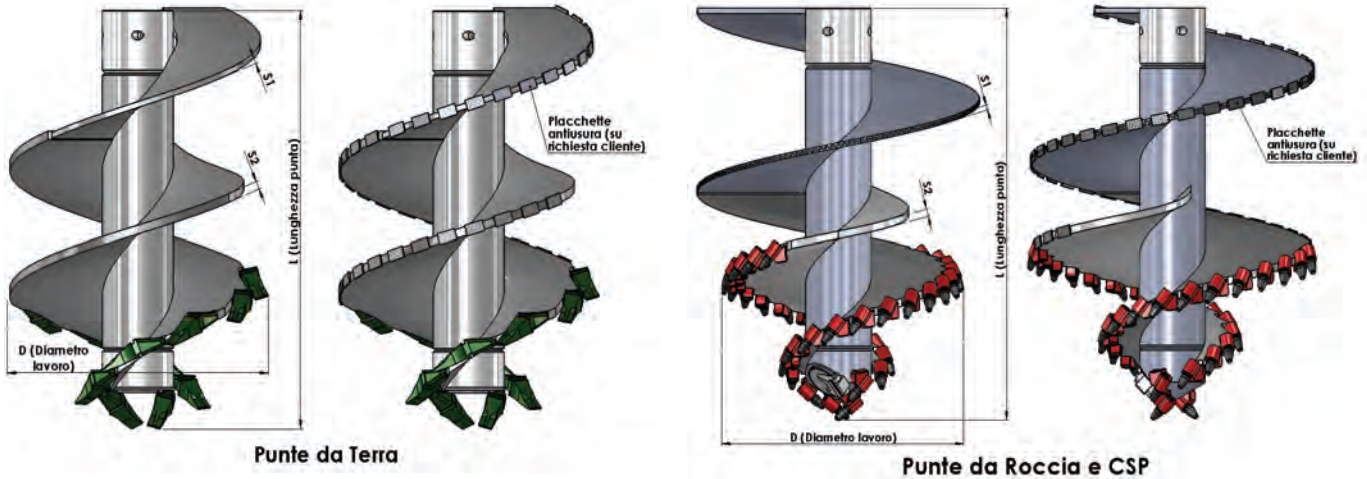
Standard series HD5 sp.25mm



Code	Nominal Diam. (mm)	CFA D.(mm)	Lenght (mm)	Appr. Weight kg	Code	Nominal Diam. (mm)	CFA D.(mm)	Lenght (mm)	Appr. Weight kg	Code	Nominal Diam. (mm)	CFA D.(mm)	Lenght (mm)	Appr. Weight kg
03382100	400	370	3000	321	03382253	400	370	3000	368	03383600	400	370	3000	408
03382101	400	370	4500	397	03382264	400	370	4500	531	03383611	400	370	4500	590
03382102	400	370	6000	607	03382275	400	370	6000	694	03383622	400	370	6000	772
03382103	450	420	3000	358	03382254	450	420	3000	406	03383601	450	420	3000	455
03382104	450	420	4500	507	03382265	450	420	4500	577	03383612	450	420	4500	647
03382105	450	420	6000	672	03382276	450	420	6000	769	03383623	450	420	6000	867
03382106	500	470	3000	380	03382255	500	470	3000	437	03383602	500	470	3000	493
03382107	500	470	4500	549	03382266	500	470	4500	580	03383613	500	470	4500	718
03382108	500	470	6000	697	03382277	500	470	6000	802	03383624	500	470	6000	908
03382109	550	520	3000	421	03382256	550	520	3000	491	03383603	550	520	3000	561
03382110	550	520	4500	610	03382267	550	520	4500	715	03383614	550	520	4500	814
03382111	550	520	6000	774	03382278	550	520	6000	904	03383625	550	520	6000	1035
03382112	600	570	3000	461	03382257	600	570	3000	544	03383604	600	570	3000	626
03382113	600	570	4500	670	03382268	600	570	4500	794	03383615	600	570	4500	918
03382114	600	570	6000	848	03382279	600	570	6000	1003	03383626	600	570	6000	1158
03382115	650	620	3000	476	03382258	650	620	3000	564	03383605	650	620	3000	652
03382116	650	620	4500	674	03382269	650	620	4500	799	03383616	650	620	4500	925
03382117	650	620	6000	909	03382280	650	620	6000	1085	03383627	650	620	6000	1261
03382118	700	670	3000	523	03382259	700	670	3000	627	03383606	700	670	3000	731
03382119	700	670	4500	741	03382270	700	670	4500	890	03383617	700	670	4500	1038
03382120	700	670	6000	1004	03382281	700	670	6000	1212	03383628	700	670	6000	1419
03382121	750	710	3000	513	03382260	750	710	3000	614	03383607	750	710	3000	714
03382122	750	710	4500	749	03382271	750	710	4500	899	03383618	750	710	4500	1050
03382123	750	710	6000	984	03382282	750	710	6000	1185	03383629	750	710	6000	1386
03382124	800	740	3000	544	03382261	800	740	3000	654	03383608	800	740	3000	765
03382125	800	740	4500	794	03382272	800	740	4500	960	03383619	800	740	4500	1126
03382126	800	740	6000	1044	03382283	800	740	6000	1265	03383630	800	740	6000	1486
03382127	850	790	3000	588	03382262	850	790	3000	713	03383609	850	790	3000	838
03382128	850	790	4500	860	03382273	850	790	4500	1048	03383620	850	790	4500	1236
03382129	850	790	6000	1133	03382284	850	790	6000	1383	03383631	850	790	6000	1634
03382130	900	840	3000	573	03382263	900	840	3000	684	03383610	900	840	3000	804
03382131	900	840	4500	874	03382274	900	840	4500	1057	03383621	900	840	4500	1250
03382132	900	840	6000	1102	03382285	900	840	6000	1334	03383632	900	840	6000	1575

Continuous Flight Auger

Nominal diameter Bits



Light series XHD5 Soil

Heavy series XHD5 Soil

Code	Nominal D. (mm)	Exavation D.(mm)	S2/S1	Appr. Weight kg	Code	Nominal D. (mm)	Exavation D.(mm)	S2/S1	Appr. Weight kg
03381945	500	500	25/15	320	03382500	500	500	40/25	372
03381946	550	550	25/15	345	03382501	550	550	40/25	412
03381947	600	600	25/15	376	03382502	600	600	40/25	446
03381948	650	650	25/15	404	03382503	650	650	40/25	502
03381949	700	700	25/15	433	03382504	700	700	40/25	549
03381950	750	750	25/15	462	03382505	750	750	40/25	575
03381951	800	800	25/15	494	03382506	800	800	40/25	624
03381952	850	850	25/15	532	03382507	850	850	40/25	703
03381953	900	900	25/15	567	03382508	900	900	40/25	722
03381954	950	950	25/15	595	03382509	950	950	40/25	794
03381955	1000	1000	25/15	626	03382510	1000	1000	40/25	832
03381956	1050	1050	30/20	753	03382511	1050	1050	40/25	910
03381957	1100	1100	30/20	799	03382512	1100	1100	40/25	971
03381958	1150	1150	30/20	929	03382513	1150	1150	40/25	1030
03381959	1200	1200	30/20	989	03382514	1200	1200	40/25	1099

Light series XHD5 Rock

Heavy series XHD5 Rock

Code	Nominal D. (mm)	Exavation D.(mm)	S2/S1	Appr. Weight kg	Code	Nominal D. (mm)	Exavation D.(mm)	S2/S1	Appr. Weight kg
03381960	500	490	25/15	321	03382515	500	490	40/25	372
03381961	550	540	25/15	350	03382516	550	540	40/25	416
03381962	600	590	25/15	382	03382517	600	590	40/25	452
03381963	650	640	25/15	410	03382518	650	640	40/25	508
03381964	700	690	25/15	445	03382519	700	690	40/25	561
03381965	750	740	25/15	473	03382520	750	740	40/25	587
03381966	800	790	25/15	508	03382521	800	790	40/25	637
03381967	850	840	25/15	549	03382522	850	840	40/25	720
03381968	900	890	25/15	574	03382523	900	890	40/25	739
03381969	950	940	25/15	610	03382524	950	940	40/25	813
03381970	1000	990	25/15	643	03382525	1000	990	40/25	849
03381971	1050	1040	30/20	770	03382526	1050	1040	40/25	926
03381972	1100	1090	30/20	818	03382527	1100	1090	40/25	989
03381973	1150	1140	30/20	947	03382528	1150	1140	40/25	1048
03381974	1200	1190	30/20	1009	03382529	1200	1190	40/25	1119

Light series XHD5 CSP

Heavy series XHD5 CSP

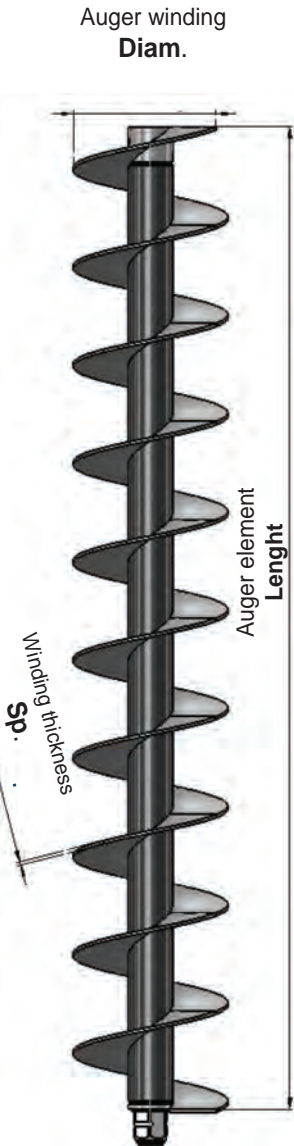
Code	Nominal D. (mm)	Exavation D.(mm)	S2/S1	Appr. Weight kg	Code	Nominal D. (mm)	Exavation D.(mm)	S2/S1	Appr. Weight kg
03381975	500	470	25/15	319	03382530	500	470	40/25	370
03381976	550	520	25/15	348	03382531	550	520	40/25	414
03381977	600	570	25/15	380	03382532	600	570	40/25	450
03381978	650	620	25/15	408	03382533	650	620	40/25	500
03381979	700	670	25/15	443	03382534	700	670	40/25	559
03381980	750	710	25/15	471	03382535	750	710	40/25	573
03381981	800	740	25/15	502	03382536	800	740	40/25	631
03381982	850	790	25/15	545	03382537	850	790	40/25	716
03381983	900	840	25/15	570	03382538	900	840	40/25	735
03381984	950	890	25/15	608	03382539	950	890	40/25	811
03381985	1000	940	25/15	643	03382540	1000	940	40/25	849
03381986	1050	990	30/20	768	03382541	1050	990	40/25	924
03381987	1100	1040	30/20	816	03382542	1100	1040	40/25	987
03381988	1150	1090	30/20	945	03382543	1150	1090	40/25	1046
03381989	1200	1140	30/20	1007	03382544	1200	1140	40/25	1117

Nominal diameter Element

Light series XHD5 sp.15mm

Heavy series XHD5 sp.20mm

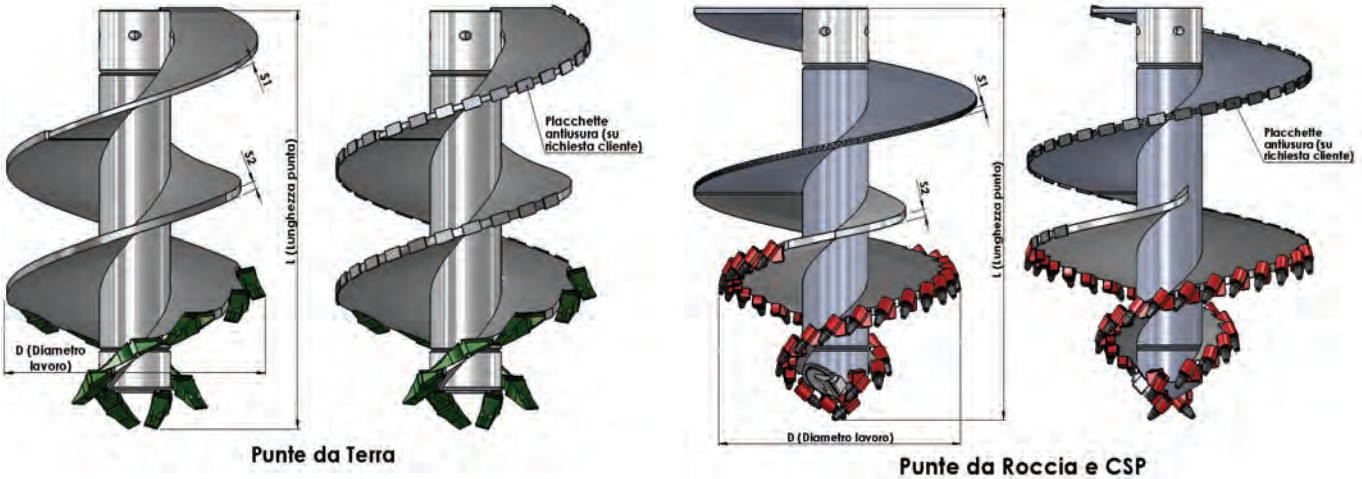
Standard series XHD5 sp.25mm



Code	Nominal Diam. (mm)	CFA D.(mm)	Lenght (mm)	Appr. Weight kg	Code	Nominal Diam. (mm)	CFA D.(mm)	Lenght (mm)	Appr. Weight kg	Code	Nominal Diam. (mm)	CFA D.(mm)	Lenght (mm)	Appr. Weight kg
03381900	500	470	3000	499	03382545	500	470	3000	540	03383700	500	470	3000	580
03381901	500	470	4500	680	03382556	500	470	4500	741	03383715	500	470	4500	801
03381902	500	470	6000	846	03382567	500	470	6000	922	03383730	500	470	6000	997
03381903	550	520	3000	539	03382546	550	520	3000	592	03383701	550	520	3000	646
03381904	550	520	4500	739	03382557	550	520	4500	819	03383716	550	520	4500	900
03381905	550	520	6000	920	03382568	550	520	6000	1020	03383731	550	520	6000	1120
03381906	600	570	3000	581	03382547	600	570	3000	649	03383702	600	570	3000	716
03381907	600	570	4500	803	03382558	600	570	4500	904	03383717	600	570	4500	1006
03381908	600	570	6000	1000	03382569	600	570	6000	1126	03383732	600	570	6000	1253
03381909	650	620	3000	601	03382548	650	620	3000	675	03383703	650	620	3000	749
03381910	650	620	4500	816	03382559	650	620	4500	922	03383718	650	620	4500	1028
03381911	650	620	6000	1064	03382570	650	620	6000	1212	03383733	650	620	6000	1360
03381912	700	670	3000	644	03382549	700	670	3000	733	03383704	700	670	3000	822
03381913	700	670	4500	879	03382560	700	670	4500	1006	03383719	700	670	4500	1132
03381914	700	670	6000	1151	03382571	700	670	6000	1329	03383734	700	670	6000	1506
03381915	750	710	3000	643	03382550	750	710	3000	732	03383705	750	710	3000	820
03381916	750	710	4500	896	03382561	750	710	4500	1029	03383720	750	710	4500	1161
03381917	750	710	6000	1149	03382572	750	710	6000	1326	03383735	750	710	6000	1503
03381918	800	740	3000	669	03382551	800	740	3000	765	03383706	800	740	3000	862
03381919	800	740	4500	934	03382562	800	740	4500	1079	03383721	800	740	4500	1209
03381920	800	740	6000	1200	03382573	800	740	6000	1393	03383736	800	740	6000	1587
03381921	850	790	3000	713	03382552	850	790	3000	824	03383707	850	790	3000	936
03381922	850	790	4500	1001	03382563	850	790	4500	1168	03383722	850	790	4500	1335
03381923	850	790	6000	1288	03382574	850	790	6000	1511	03383737	850	790	6000	1734
03381924	900	840	3000	707	03382553	900	840	3000	817	03383708	900	840	3000	927
03381925	900	840	4500	1025	03382564	900	840	4500	1201	03383723	900	840	4500	1377
03381926	900	840	6000	1278	03382575	900	840	6000	1497	03383738	900	840	6000	1716
03381927	950	890	3000	749	03382554	950	890	3000	873	03383709	950	890	3000	997
03381928	950	890	4500	1092	03382565	950	890	4500	1290	03383724	950	890	4500	1488
03381929	950	890	6000	1361	03382576	950	890	6000	1609	03383739	950	890	6000	1856
03381930	1000	940	3000	793	03382555	1000	940	3000	932	03383710	1000	940	3000	1070
03381931	1000	940	4500	1163	03382566	1000	940	4500	1384	03383725	1000	940	4500	1606
03381932	1000	940	6000	1450	03382577	1000	940	6000	1726	03383740	1000	940	6000	2003
					03381933	1050	990	3000	1006	03383711	1050	990	3000	1163
					03381934	1050	990	4500	1378	03383726	1050	990	4500	1597
					03381935	1050	990	6000	1749	03383741	1050	990	6000	2032
					03381936	1100	1040	3000	1079	03383712	1100	1040	3000	1254
					03381937	1100	1040	4500	1480	03383727	1100	1040	4500	1725
					03381938	1100	1040	6000	1881	03383742	1100	1040	6000	2196
					03381939	1150	1090	3000	1036	03383713	1150	1090	3000	1200
					03381940	1150	1090	4500	1320	03383728	1150	1090	4500	1526
					03381941	1150	1090	6000	1770	03383743	1150	1090	6000	2057
					03381942	1200	1140	3000	1219	03383714	1200	1140	3000	1429
					03381943	1200	1140	4500	1676	03383729	1200	1140	4500	1970
					03381944	1200	1140	6000	2133	03383744	1200	1140	6000	2511

Continuous Flight Auger

Nominal diameter Bits



Light series 25HD5 Soil

Heavy series 25HD5 Soil

Code	Nominal D. (mm)	Exavation D.(mm)	S2/S1	Appr. Weight kg	Code	Nominal D. (mm)	Exavation D.(mm)	S2/S1	Appr. Weight kg
03381739	600	600	25/15	518	03382600	600	590	40/25	592
03381740	650	650	25/15	549	03382601	650	640	40/25	663
03381741	700	700	25/15	585	03382602	700	690	40/25	722
03381742	750	750	25/15	616	03382603	750	740	40/25	768
03381743	800	800	25/15	652	03382604	800	790	40/25	825
03381744	850	850	25/15	695	03382605	850	840	40/25	894
03381745	900	900	25/15	721	03382606	900	890	40/25	932
03381746	950	950	25/15	766	03382607	950	940	40/25	1003
03381747	1000	1000	25/15	802	03382608	1000	990	40/25	1060
03381748	1050	1050	30/20	947	03382609	1050	1040	40/25	1121
03381749	1100	1100	30/20	1002	03382610	1100	1090	40/25	1193
03381750	1150	1150	35/20	1138	03382611	1150	1140	40/25	1263
03381751	1200	1200	35/20	1208	03382612	1200	1190	40/25	1343

Light series 25HD5 Rock

Heavy series 25HD5 Rock

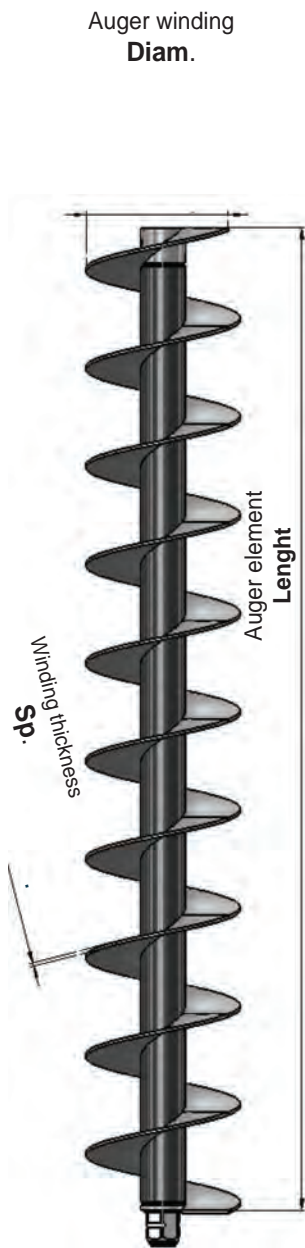
Code	Nominal D. (mm)	Exavation D.(mm)	S2/S1	Appr. Weight kg	Code	Nominal D. (mm)	Exavation D.(mm)	S2/S1	Appr. Weight kg
03381754	600	590	25/15	524	03382613	600	590	40/25	599
03381755	650	640	25/15	555	03382614	650	640	40/25	669
03381756	700	690	25/15	597	03382615	700	690	40/25	734
03381757	750	740	25/15	627	03382616	750	740	40/25	780
03381758	800	790	25/15	666	03382617	800	790	40/25	838
03381759	850	840	25/15	712	03382618	850	840	40/25	911
03381760	900	890	25/15	738	03382619	900	890	40/25	949
03381761	950	940	25/15	781	03382620	950	940	40/25	1018
03381762	1000	990	25/15	818	03382621	1000	990	40/25	1076
03381763	1050	1040	30/20	964	03382622	1050	1040	40/25	1137
03381764	1100	1090	30/20	1020	03382623	1100	1090	40/25	1211
03381765	1150	1140	35/20	1156	03382624	1150	1140	40/25	1261
03381766	1200	1190	35/20	1228	03382625	1200	1190	40/25	1363

Light series 25HD5 CSP

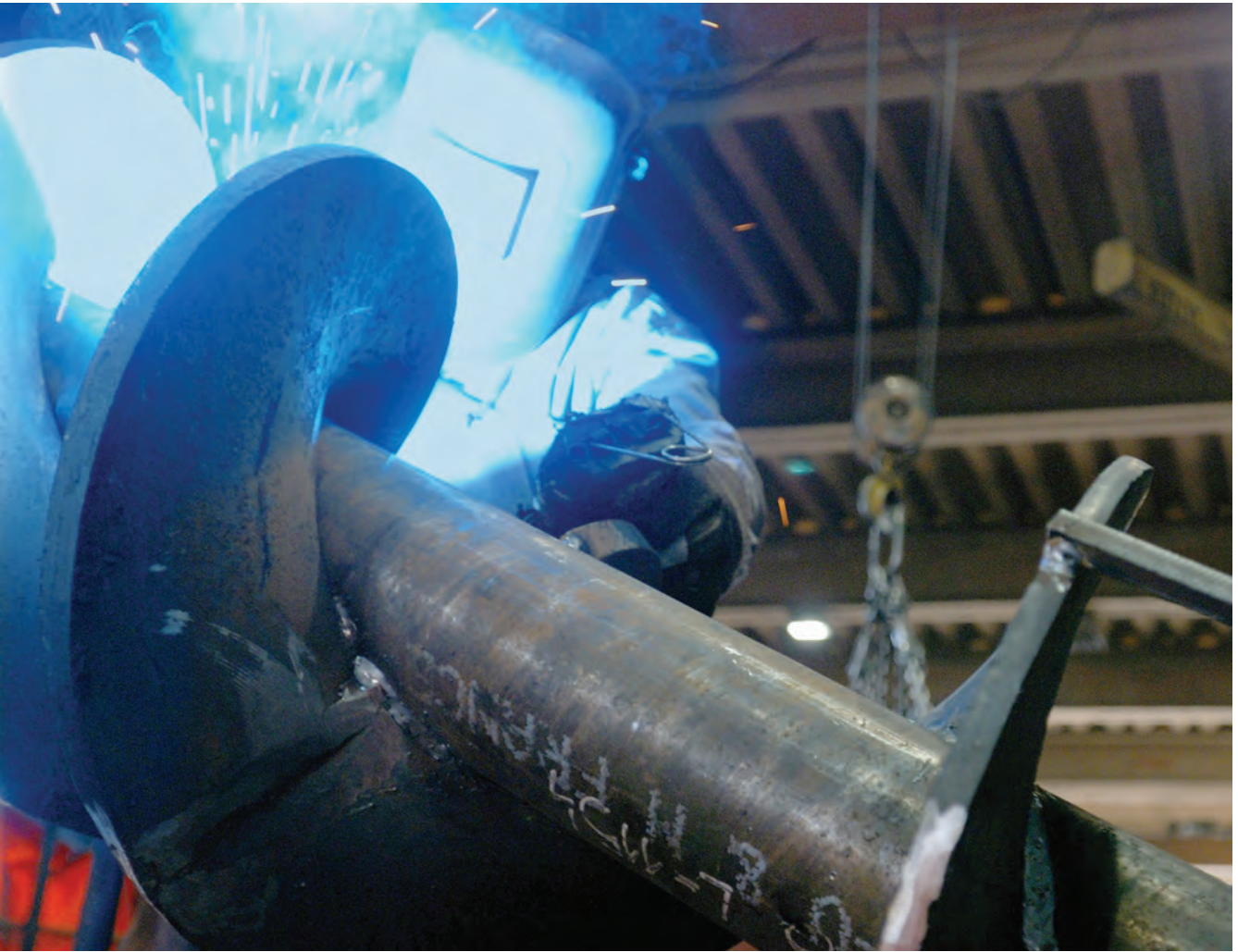
Heavy series 25HD5 CSP

Code	Nominal D. (mm)	Exavation D.(mm)	S2/S1	Appr. Weight kg	Code	Nominal D. (mm)	Exavation D.(mm)	S2/S1	Appr. Weight kg
03381767	600	570	25/15	522	03382626	600	570	40/25	597
03381768	650	620	25/15	553	03382627	650	620	40/25	659
03381769	700	670	25/15	595	03382628	700	670	40/25	732
03381770	750	710	25/15	625	03382629	750	710	40/25	774
03381771	800	740	25/15	660	03382630	800	740	40/25	832
03381772	850	790	25/15	708	03382631	850	790	40/25	895
03381773	900	840	25/15	732	03382632	900	840	40/25	943
03381774	950	890	25/15	779	03382633	950	890	40/25	1016
03381775	1000	940	25/15	818	03382634	1000	940	40/25	1076
	1050	990	30/20	962	03382635	1050	990	40/25	1135
	1100	1040	30/20	1018	03382636	1100	1040	40/25	1209
	1150	1090	35/20	1154	03382637	1150	1090	40/25	1279
	1200	1140	35/20	1228	03382638	1200	1140	40/25	1363

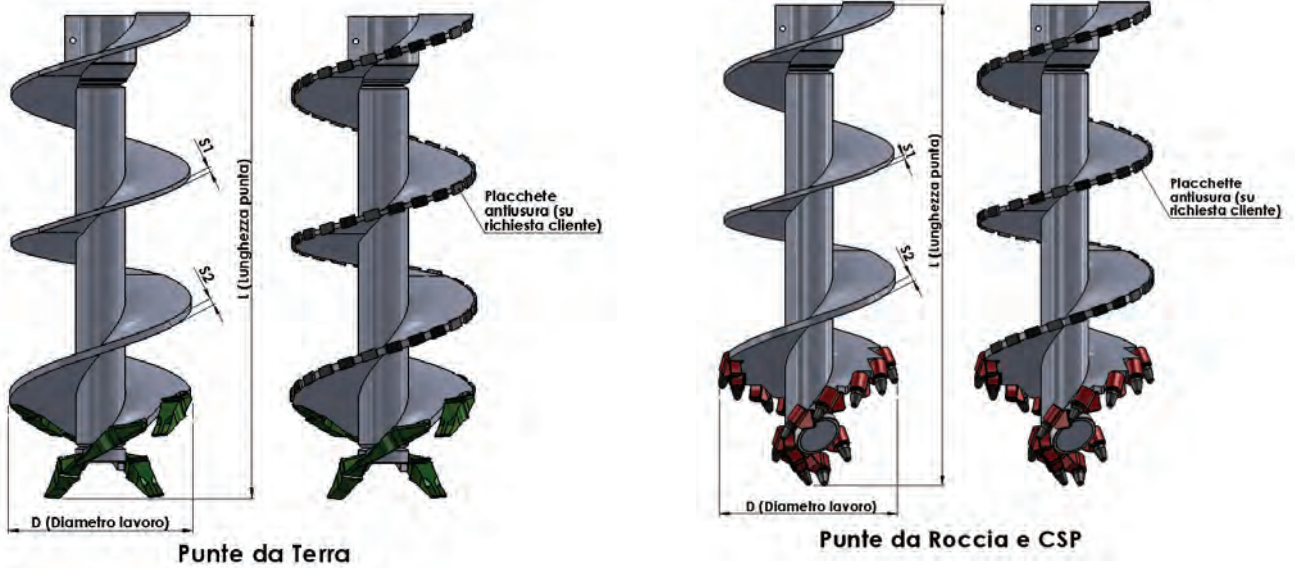
Nominal diameter Element



Light series 25HD5 sp.15mm					Heavy series 25HD5 sp.20mm					Standard series 25HD5 sp.25mm				
Code	Nominal Diam. (mm)	CFA D.(mm)	Lenght (mm)	Appr. Weight kg	Code	Nominal Diam. (mm)	CFA D.(mm)	Lenght (mm)	Appr. Weight kg	Code	Nominal Diam. (mm)	CFA D.(mm)	Lenght (mm)	Appr. Weight kg
03381700	600	570	3000	703	03382639	600	570	3000	767	03383800	600	570	3000	830
03381701	600	570	4500	997	03382648	600	570	4500	1092	03383813	600	570	4500	1187
03381702	600	570	6000	1266	03382657	600	570	6000	1385	03383826	600	570	6000	1503
03381703	650	620	3000	724	03382640	650	620	3000	794	03383801	650	620	3000	864
03381704	650	620	4500	1012	03382649	650	620	4500	1113	03383814	650	620	4500	1213
03381705	650	620	6000	1331	03382658	650	620	6000	1471	03383827	650	620	6000	1612
03381706	700	670	3000	768	03382641	700	670	3000	853	03383802	700	670	3000	937
03381707	700	670	4500	1075	03382650	700	670	4500	1196	03383815	700	670	4500	1317
03381708	700	670	6000	1418	03382659	700	670	6000	1588	03383828	700	670	6000	1758
03381709	750	710	3000	768	03382642	750	710	3000	853	03383803	750	710	3000	938
03381710	750	710	4500	1093	03382651	750	710	4500	1221	03383816	750	710	4500	1348
03381711	750	710	6000	1419	03382660	750	710	6000	1588	03383829	750	710	6000	1758
03381712	800	740	3000	793	03382643	800	740	3000	886	03383804	800	740	3000	980
03381713	800	740	4500	1131	03382652	800	740	4500	1271	03383817	800	740	4500	1411
03381714	800	740	6000	1470	03382661	800	740	6000	1656	03383830	800	740	6000	1842
03381715	850	790	3000	838	03382644	850	790	3000	946	03383805	850	790	3000	1054
03381716	850	790	4500	1198	03382653	850	790	4500	1360	03383818	850	790	4500	1411
03381717	850	790	6000	1558	03382662	850	790	6000	1774	03383831	850	790	6000	1842
03381718	900	840	3000	833	03382645	900	840	3000	940	03383806	900	840	3000	1046
03381719	900	840	4500	1223	03382654	900	840	4500	1393	03383819	900	840	4500	1564
03381720	900	840	6000	1549	03382663	900	840	6000	1595	03383832	900	840	6000	1975
03381721	950	890	3000	875	03382646	950	890	3000	995	03383807	950	890	3000	1116
03381722	950	890	4500	1290	03382655	950	890	4500	1483	03383820	950	890	4500	1676
03381723	950	890	6000	1633	03382664	950	890	6000	1874	03383833	950	890	6000	2115
03381724	1000	940	3000	919	03382647	1000	940	3000	1054	03383808	1000	940	3000	1189
03381725	1000	940	4500	1361	03382656	1000	940	4500	1577	03383821	1000	940	4500	1793
03381726	1000	940	6000	1721	03382665	1000	940	6000	1991	03383834	1000	940	6000	2262
					03381727	1050	990	3000	1135	03383809	1050	990	3000	1290
					03381728	1050	990	4500	15825	03383822	1050	990	4500	1799
					03381729	1050	990	6000	2029	03383835	1050	990	6000	2308
					03381730	1100	1040	3000	1200	03383810	1100	1040	3000	1372
					03381731	1100	1040	4500	1673	03383823	1100	1040	4500	1914
					03381732	1100	1040	6000	2146	03383836	1100	1040	6000	2456
					03381733	1150	1090	3000	1269	03383811	1150	1090	3000	1458
					03381734	1150	1090	4500	1769	03383824	1150	1090	4500	2034
					03381735	1150	1090	6000	2270	03383837	1150	1090	6000	2609
					03381736	1200	1140	3000	1341	03383812	1200	1140	3000	1547
					03381737	1200	1140	4500	1869	03383825	1200	1140	4500	2159
					03381738	1200	1140	6000	2398	03383838	1200	1140	6000	2770



Effective diameter Bits



Light series Effective HD4 Soil

Heavy series Effective HD4 Soil

Code	Effective D. (mm)	Excavation D.(mm)	S2/S1	Appr. Weight kg	Code	Effective D. (mm)	Excavation D.(mm)	S2/S1	Appr. Weight kg
03382700	300	310	25/15	168	03383100	300	310	40/25	208
03382701	350	360	25/15	194	03383101	350	360	40/25	250
03382702	400	410	25/15	223	03383102	400	410	40/25	282
03382703	450	460	25/15	236	03383103	450	460	40/25	312
03382704	500	510	25/15	285	03383104	500	510	40/25	375
03382705	550	560	25/15	312	03383105	550	560	40/25	430
03382706	600	610	25/15	345	03383106	600	610	40/25	484
03382707	650	660	25/15	345	03383107	650	660	40/25	483
03382708	700	710	25/15	385	03383108	700	710	40/25	542
03382709	750	760	25/15	424	03383109	750	760	40/25	604
03382710	800	810	25/15	455	03383110	800	810	40/25	655
03382711	850	860	25/15	492	03383111	850	860	40/25	715
03382712	900	910	25/15	515	03383112	900	910	40/25	774

Light series Effective HD4 Rock

Heavy series Effective HD4 Rock

Code	Effective D. (mm)	Excavation D.(mm)	S2/S1	Appr. Weight kg	Code	Effective D. (mm)	Excavation D.(mm)	S2/S1	Appr. Weight kg
03382713	300	310	25/15	174	03383113	300	310	40/25	213
03382714	350	360	25/15	203	03383114	350	360	40/25	259
03382715	400	410	25/15	224	03383115	400	410	40/25	292
03382716	450	460	25/15	236	03383116	450	460	40/25	317
03382717	500	510	25/15	293	03383117	500	510	40/25	384
03382718	550	560	25/15	312	03383118	550	560	40/25	430
03382719	600	610	25/15	349	03383119	600	610	40/25	488
03382720	650	660	25/15	353	03383120	650	660	40/25	491
03382721	700	710	25/15	385	03383121	700	710	40/25	542
03382722	750	760	25/15	428	03383122	750	760	40/25	607
03382723	800	810	25/15	458	03383123	800	810	40/25	659
03382724	850	860	25/15	499	03383124	850	860	40/25	723
03382725	900	910	25/15	561	03383125	900	910	40/25	820

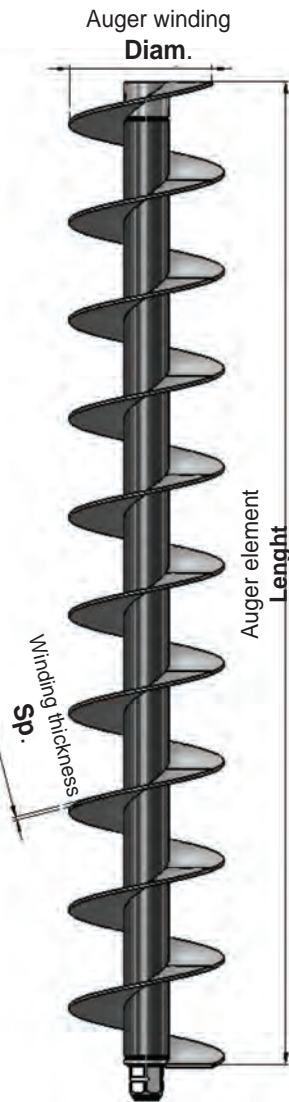
Continuous Flight Auger

Effective intermediate Element

Light series effective HD4 sp.15mm

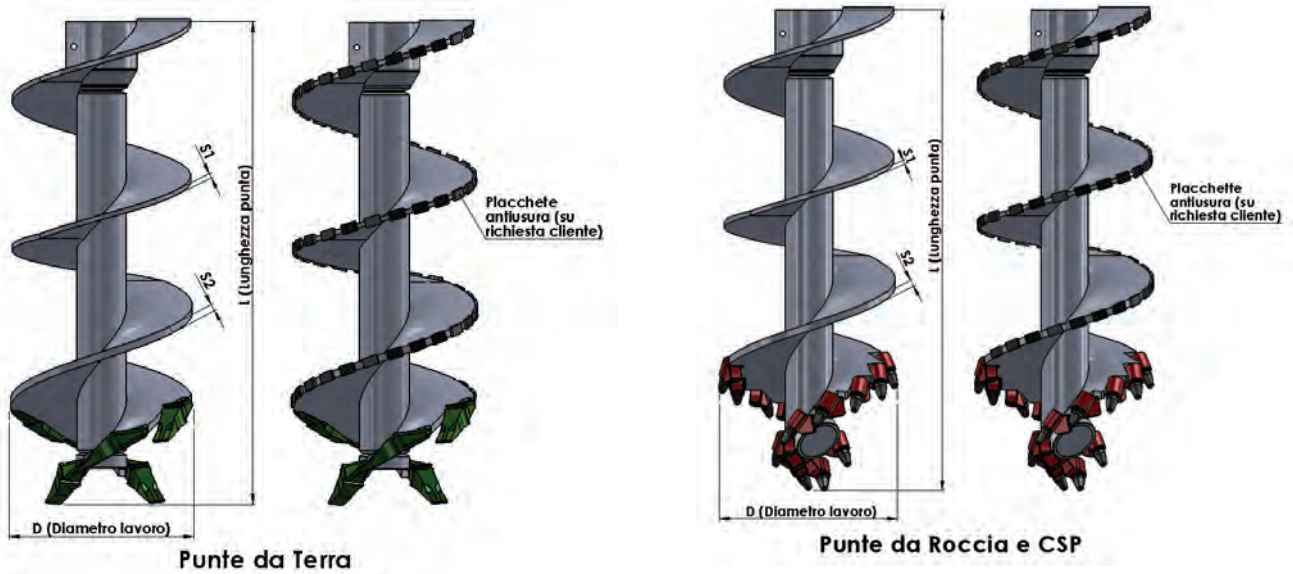
Standard series effective HD4 sp.20mm

Heavy series effective HD4 sp.25mm



Code	Effective D. (mm)	CFA D.(mm)	Lenght (mm)	Appr. Weight kg	Code	Effective D. (mm)	CFA D.(mm)	Lenght (mm)	Appr. Weight kg	Code	Effective D. (mm)	CFA D.(mm)	Lenght (mm)	Appr. Weight kg
03382726	300	300	3000	292	03383126	300	300	3000	322	03383900	300	300	3000	351
03382739	300	300	4500	425	03383139	300	300	4500	469	033839130	300	300	4500	513
03382752	300	300	6000	558	03383152	300	300	6000	617	03383926	300	300	6000	676
03382727	350	350	3000	330	03383127	350	350	3000	372	03383901	350	350	3000	415
03382740	350	350	4500	482	03383140	350	350	4500	546	03383914	350	350	4500	609
03382753	350	350	6000	634	03383153	350	350	6000	719	03383927	350	350	6000	804
03382728	400	400	3000	334	03383128	400	400	3000	377	03383902	400	400	3000	420
03382741	400	400	4500	488	03383141	400	400	4500	552	03383915	400	400	4500	617
03382754	400	400	6000	641	03383154	400	400	6000	728	03383928	400	400	6000	814
03382729	450	450	3000	371	03383129	450	450	3000	427	03383903	450	450	3000	482
03382742	450	450	4500	544	03383142	450	450	4500	627	03383916	450	450	4500	711
03382755	450	450	6000	716	03383155	450	450	6000	827	03383929	450	450	6000	939
03382730	500	500	3000	389	03383130	500	500	3000	450	03383904	500	500	3000	511
03382743	500	500	4500	571	03383143	500	500	4500	662	03383917	500	500	4500	755
03382756	500	500	6000	753	03383156	500	500	6000	874	03383930	500	500	6000	997
03382731	550	550	3000	428	03383131	550	550	3000	500	03383905	550	550	3000	575
03382744	550	550	4500	629	03383144	550	550	4500	738	03383918	550	550	4500	849
03382757	550	550	6000	830	03383157	550	550	6000	975	03383931	550	550	6000	1123
03382732	600	600	3000	473	03383132	600	600	3000	560	03383906	600	600	3000	650
03382745	600	600	4500	696	03383145	600	600	4500	828	03383919	600	600	4500	962
03382758	600	600	6000	920	03383158	600	600	6000	1095	03383932	600	600	6000	1273
03382733	650	650	3000	491	03383133	650	650	3000	584	03383907	650	650	3000	680
03382746	650	650	4500	724	03383146	650	650	4500	84	03383920	650	650	4500	1006
03382759	650	650	6000	957	03383159	650	650	6000	1143	03383933	650	650	6000	1333
03382734	700	700	3000	535	03383134	700	700	3000	642	03383908	700	700	3000	752
03382747	700	700	4500	790	03383147	700	700	4500	950	03383921	700	700	4500	1115
03382760	700	700	6000	1045	03383160	700	700	6000	1258	03383934	700	700	6000	1478
03382735	750	750	3000	553	03383135	750	750	3000	664	03383909	750	750	3000	780
03382748	750	750	4500	817	03383148	750	750	4500	985	03383922	750	750	4500	1158
03382761	750	750	6000	1080	03383161	750	750	6000	1304	03383935	750	750	6000	1535
03382736	800	800	3000	599	03383136	800	800	3000	725	03383910	800	800	3000	855
03382749	800	800	4500	885	03383149	800	800	4500	1074	03383923	800	800	4500	1269
03382762	800	800	6000	1171	03383162	800	800	6000	1423	03383936	800	800	6000	1684
03382737	850	850	3000	647	03383137	850	850	3000	788	03383911	850	850	3000	933
03382750	850	850	4500	957	03383150	850	850	4500	1169	03383924	850	850	4500	1388
03382763	850	850	6000	1267	03383163	850	850	6000	1550	03383937	850	850	6000	1842
03382738	900	900	3000	634	03383138	900	900	3000	769	03383912	900	900	3000	911
03382751	900	900	4500	938	03383151	900	900	4500	1141	03383925	900	900	4500	1353
03382764	900	900	6000	1242	03383164	900	900	6000	1512	03383938	900	900	6000	1795

Effective diameter Bits



Light series Effective HD5 Soil

Heavy series Effective HD5 Soil

Code	Effective D. (mm)	Exavation D.(mm)	S2/S1	Appr. Weight kg	Code	Effective D. (mm)	Exavation D.(mm)	S2/S1	Appr. Weight kg
03382800	400	410	25/15	201	03383200	400	410	40/25	257
03382801	450	460	25/15	235	03383201	450	460	40/25	307
03382802	500	510	25/15	257	03383202	500	510	40/25	341
03382803	550	560	25/15	283	03383203	550	560	40/25	383
03382804	600	610	25/15	321	03383204	600	610	40/25	418
03382805	650	660	25/15	345	03383205	650	660	40/25	479
03382806	700	710	25/15	376	03383206	700	710	40/25	529
03382807	750	760	25/15	412	03383207	750	760	40/25	580
03382808	800	810	25/15	449	03383208	800	810	40/25	608
03382809	850	860	25/15	481	03383209	850	860	40/25	692
03382810	900	910	25/15	516	03383210	900	910	40/25	741

Light series Effective HD5 Rock

Heavy series Effective HD5 Rock

Code	Effective D. (mm)	Exavation D.(mm)	S2/S1	Appr. Weight kg	Code	Effective D. (mm)	Exavation D.(mm)	S2/S1	Appr. Weight kg
03382811	400	410	25/15	211	03383211	400	410	40/25	267
03382812	450	460	25/15	307	03383212	450	460	40/25	312
03382813	500	510	25/15	266	03383213	500	510	40/25	350
03382814	550	560	25/15	292	03383214	550	560	40/25	392
03382815	600	610	25/15	321	03383215	600	610	40/25	422
03382816	650	660	25/15	353	03383216	650	660	40/25	487
03382817	700	710	25/15	385	03383217	700	710	40/25	537
03382818	750	760	25/15	415	03383218	750	760	40/25	584
03382819	800	810	25/15	449	03383219	800	810	40/25	611
03382820	850	860	25/15	488	03383220	850	860	40/25	700
03382821	900	910	25/15	516	03383221	900	910	40/25	741

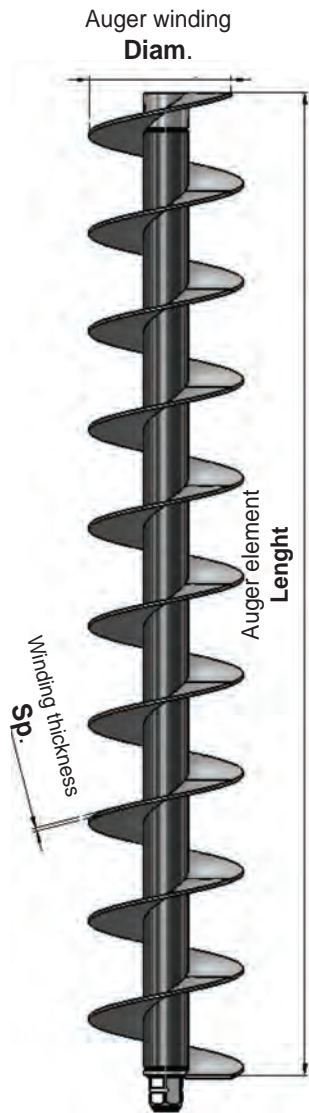
Continuous Flight Auger

Effective intermediate Element

Light series effective HD5 sp.15mm

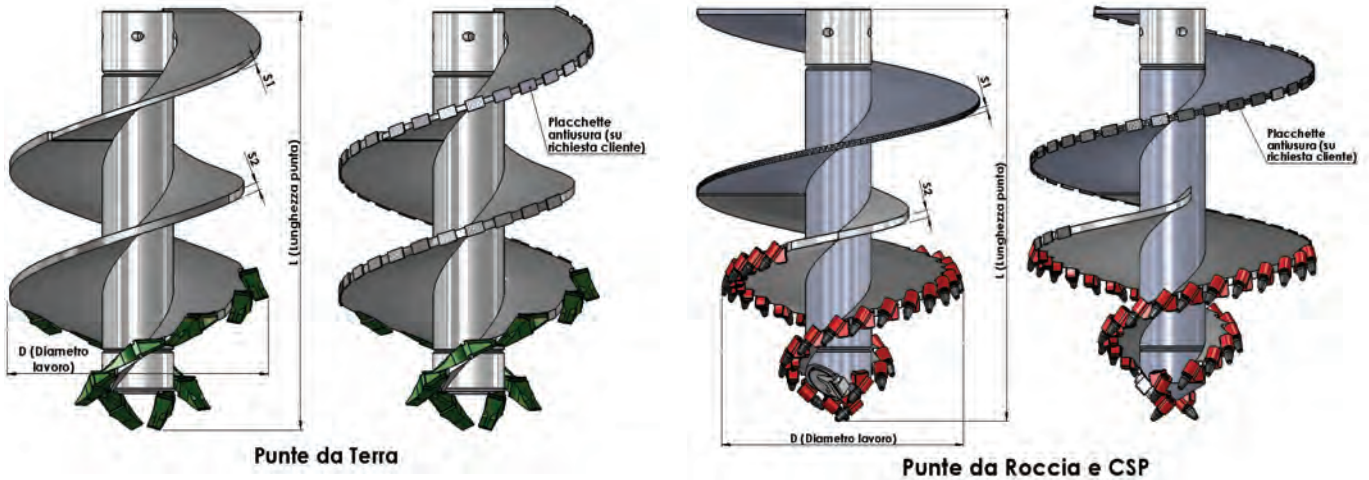
Standard series effective HD5 sp.20mm

Heavy series effective HD5 sp.25mm



Code	Effective D. (mm)	CFA D.(mm)	Lenght (mm)	Appr. Weight kg	Code	Effective D. (mm)	CFA D.(mm)	Lenght (mm)	Appr. Weight kg	Code	Effective D. (mm)	CFA D.(mm)	Lenght (mm)	Appr. Weight kg
03382822	400	400	3000	343	03383222	400	400	3000	390	03384000	400	400	3000	437
03382833	400	400	4500	498	03383233	400	400	4500	568	03384011	400	400	4500	638
03382844	400	400	6000	653	03383244	400	400	6000	746	03384022	400	400	6000	839
03382823	450	450	3000	372	03383223	450	450	3000	428	03384001	450	450	3000	485
03382834	450	450	4500	532	03383234	450	450	4500	613	03384012	450	450	4500	694
03382845	450	450	6000	710	03383245	450	450	6000	823	03384023	450	450	6000	935
03382824	500	500	3000	397	03383224	500	500	3000	461	03384002	500	500	3000	525
03382835	500	500	4500	578	03383235	500	500	4500	674	03384013	500	500	4500	771
03382846	500	500	6000	735	03383246	500	500	6000	856	03384024	500	500	6000	976
03382825	550	550	3000	435	03383225	550	550	3000	512	03384003	550	550	3000	589
03382836	550	550	4500	635	03383236	550	550	4500	751	03384014	550	550	4500	867
03382847	550	550	6000	807	03383247	550	550	6000	952	03384025	550	550	6000	1096
03382826	600	600	3000	482	03383226	600	600	3000	575	03384004	600	600	3000	668
03382837	600	600	4500	706	03383237	600	600	4500	846	03384015	600	600	4500	985
03382848	600	600	6000	895	03383248	600	600	6000	1070	03384026	600	600	6000	1244
03382827	650	650	3000	497	03383227	650	650	3000	595	03384005	650	650	3000	693
03382838	650	650	4500	707	03383238	650	650	4500	847	03384016	650	650	4500	987
03382849	650	650	6000	960	03383249	650	650	6000	1155	03384027	650	650	6000	1351
03382828	700	700	3000	542	03383228	700	700	3000	655	03384006	700	700	3000	769
03382839	700	700	4500	772	03383239	700	700	4500	934	03384017	700	700	4500	1095
03382850	700	700	6000	1051	03383250	700	700	6000	1277	03384028	700	700	6000	1503
03382829	750	750	3000	544	03383229	750	750	3000	657	03384007	750	750	3000	770
03382840	750	750	4500	798	03383240	750	750	4500	968	03384018	750	750	4500	1138
03382851	750	750	6000	1053	03383251	750	750	6000	1280	03384029	750	750	6000	1507
03382830	800	800	3000	588	03383230	800	800	3000	717	03384008	800	800	3000	845
03382841	800	800	4500	865	03383241	800	800	4500	1058	03384019	800	800	4500	1250
03382852	800	800	6000	1142	03383252	800	800	6000	1399	03384030	800	800	6000	1656
03382831	850	850	3000	636	03383231	850	850	3000	780	03384009	850	850	3000	924
03382842	850	850	4500	936	03383242	850	850	4500	1153	03384020	850	850	4500	1369
03382853	850	850	6000	1237	03383253	850	850	6000	1525	03384031	850	850	6000	1814
03382832	900	900	3000	622	03383232	900	900	3000	761	03384010	900	900	3000	901
03382843	900	900	4500	958	03383243	900	900	4500	1181	03384021	900	900	4500	1404
03382854	900	900	6000	1210	03383254	900	900	6000	1489	03384032	900	900	6000	1768

Effective diameter Bits



Light series Effective XHD5 Soil

Heavy series Effective XHD5 Soil

Code	Effective D. (mm)	Excavation D.(mm)	S2/S1	Appr. Weight kg	Code	Effective D. (mm)	Excavation D.(mm)	S2/S1	Appr. Weight kg
03382900	500	510	25/15	330	03383300	500	510	40/25	450
03382901	550	560	25/15	418	03383301	550	560	40/25	483
03382902	600	610	25/15	450	03383302	600	610	40/25	542
03382903	650	660	25/15	478	03383303	650	660	40/25	584
03382904	700	710	25/15	508	03383304	700	710	40/25	633
03382905	750	760	25/15	538	03383305	750	760	40/25	680
03382906	800	810	25/15	575	03383306	800	810	40/25	714
03382907	850	860	25/15	612	03383307	850	860	40/25	795
03382908	900	910	25/15	636	03383308	900	910	40/25	636
03382909	950	960	25/15	676	03383309	950	960	40/25	811
03382910	1000	1010	25/15	706	03383310	1000	1010	40/25	887
03382911	1050	1060	30/20	838	03383311	1050	1060	40/25	921
03382912	1100	1110	30/20	885	03383312	1100	1110	40/25	1002
03382913	1150	1160	30/20	1017	03383313	1150	1160	40/25	1064
03382914	1200	1210	30/20	1078	03383314	1200	1210	40/25	1123

Light series Effective XHD5 Rock

Heavy series Effective XHD5 Rock

Code	Effective D. (mm)	Excavation D.(mm)	S2/S1	Appr. Weight kg	Code	Effective D. (mm)	Excavation D.(mm)	S2/S1	Appr. Weight kg
03382915	500	510	25/15	392	03383315	500	510	40/25	450
03382916	550	560	25/15	423	03383316	550	560	40/25	497
03382917	600	610	25/15	457	03383317	600	610	40/25	548
03382918	650	660	25/15	484	03383318	650	660	40/25	590
03382919	700	710	25/15	520	03383319	700	710	40/25	645
03382920	750	760	25/15	550	03383320	750	760	40/25	671
03382921	800	810	25/15	588	03383321	800	810	40/25	727
03382922	850	860	25/15	629	03383322	850	860	40/25	812
03382923	900	910	25/15	653	03383323	900	910	40/25	828
03382924	950	960	25/15	691	03383324	950	960	40/25	908
03382925	1000	1010	25/15	722	03383325	1000	1010	40/25	938
03382926	1050	1060	30/20	855	03383326	1050	1060	40/25	1018
03382927	1100	1110	30/20	903	03383327	1100	1110	40/25	1082
03382928	1150	1160	30/20	1035	03383328	1150	1160	40/25	1141
03382929	1200	1210	30/20	1098	03383329	1200	1210	40/25	2266

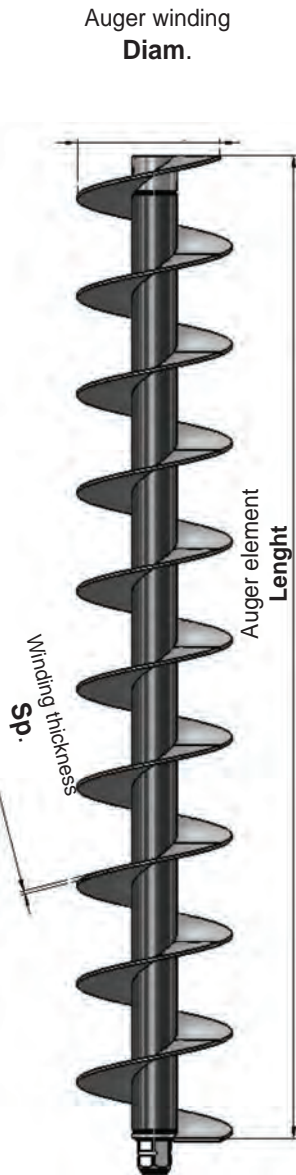
Continuous Flight Auger

Effective intermediate Element

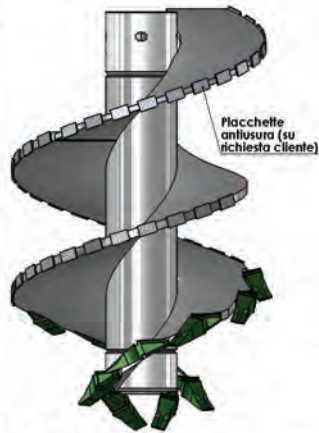
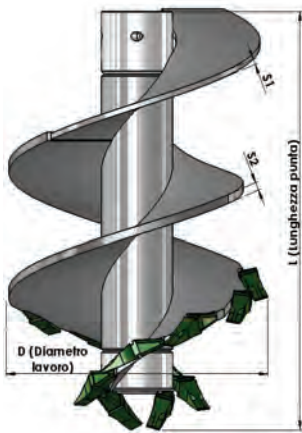
Light series effective XHD5 sp.15mm

Standard series effective XHD5 sp.20mm

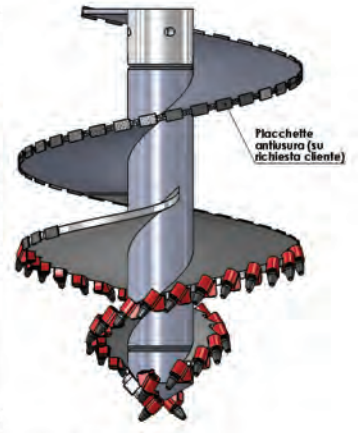
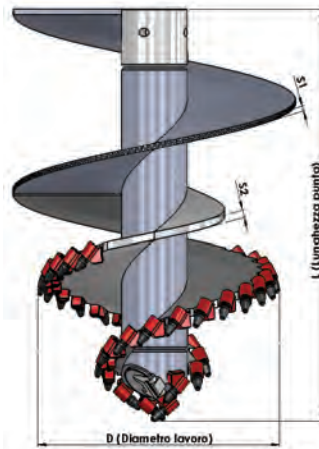
Heavy series effective XHD5 sp.25mm



Code	Effective D. (mm)	CFA D.(mm)	Lenght (mm)	Appr. Weight kg	Code	Effective D. (mm)	CFA D.(mm)	Lenght (mm)	Appr. Weight kg	Code	Effective D. (mm)	CFA D.(mm)	Lenght (mm)	Appr. Weight kg
03382930	500	500	3000	523	03383330	500	500	3000	571	03384100	500	500	3000	619
03382945	500	500	4500	715	03383341	500	500	4500	787	03384115	500	500	4500	859
03382960	500	500	6000	890	03383352	500	500	6000	980	03384130	500	500	6000	1070
03382931	550	550	3000	564	03383331	550	550	3000	625	03384101	550	550	3000	687
03382946	550	550	4500	777	03383342	550	550	4500	870	03384116	550	550	4500	962
03382961	550	550	6000	967	03383353	550	550	6000	1063	03384131	550	550	6000	1199
03382932	600	600	3000	608	03383332	600	600	3000	685	03384102	600	600	3000	762
03382947	600	600	4500	844	03383343	600	600	4500	959	03384117	600	600	4500	1074
03382962	600	600	6000	1050	03383354	600	600	6000	1194	03384132	600	600	6000	1338
03382933	650	650	3000	626	03383333	650	650	3000	709	03384103	650	650	3000	792
03382948	650	650	4500	853	03383344	650	650	4500	971	03384118	650	650	4500	1090
03382963	650	650	6000	1116	03383355	650	650	6000	1281	03384133	650	650	6000	1446
03382934	700	700	3000	672	03383334	700	700	3000	779	03384104	700	700	3000	868
03382949	700	700	4500	918	03383345	700	700	4500	1058	03384119	700	700	4500	1198
03382964	700	700	6000	1207	03383356	700	700	6000	1403	03384134	700	700	6000	1599
03382935	750	750	3000	677	03383335	750	750	3000	777	03384105	750	750	3000	876
03382950	750	750	4500	947	03383346	750	750	4500	1097	03384120	750	750	4500	1246
03382965	750	750	6000	1217	03383357	750	750	6000	1416	03384135	750	750	6000	1615
03382936	800	800	3000	722	03383336	800	800	3000	827	03384106	800	800	3000	951
03382951	800	800	4500	1014	03383347	800	800	4500	1186	03384121	800	800	4500	1358
03382966	800	800	6000	1307	03383358	800	800	6000	1536	03384136	800	800	6000	1765
03382937	850	850	3000	769	03383337	850	850	3000	900	03384107	850	850	3000	1030
03382952	850	850	4500	1085	03383348	850	850	4500	1281	03384122	850	850	4500	1477
03382967	850	850	6000	1401	03383359	850	850	6000	1662	03384137	850	850	6000	1923
03382938	900	900	3000	758	03383338	900	900	3000	885	03384108	900	900	3000	1011
03382953	900	900	4500	1106	03383349	900	900	4500	1309	03384123	900	900	4500	1511
03382968	900	900	6000	1379	03383360	900	900	6000	1632	03384138	900	900	6000	1885
03382939	950	950	3000	803	03383339	950	950	3000	944	03384109	950	950	3000	1085
03382954	950	950	4500	1178	03383350	950	950	4500	1404	03384124	950	950	4500	1630
03382969	950	950	6000	1468	03383361	950	950	6000	1751	03384139	950	950	6000	2033
03382940	1000	1000	3000	849	03383340	1000	1000	3000	1006	03384110	1000	1000	3000	1163
03382955	1000	1000	4500	1252	03383351	1000	1000	4500	1504	03384125	1000	1000	4500	1755
03382970	1000	1000	6000	1561	03383362	1000	1000	6000	1875	03384140	1000	1000	6000	2189
					03382941	1050	1050	3000	1093	03384111	1050	1050	3000	1271
					03382956	1050	1050	4500	1499	03384126	1050	1050	4500	1749
					03382971	1050	1050	6000	1905	03384141	1050	1050	6000	2227
					03382942	1100	1100	3000	1162	03384112	1100	1100	3000	1358
					03382957	1100	1100	4500	1596	03384127	1100	1100	4500	1870
					03382972	1100	1100	6000	2029	03384142	1100	1100	6000	2382
					03382943	1150	1150	3000	1234	03384113	1150	1150	3000	1448
					03382958	1150	1150	4500	1696	03384128	1150	1150	4500	1996
					03382973	1150	1150	6000	2159	03384143	1150	1150	6000	2544
					03382944	1200	1200	3000	1309	03384114	1200	1200	3000	1541
					03382959	1200	1200	4500	1801	03384129	1200	1200	4500	2127
					03382974	1200	1200	6000	2294	03384144	1200	1200	6000	2712



Punte da Terra



Punte da Roccia e CSP

Code	Effective D. (mm)	Exavation D.(mm)	S2/S1	Appr. Weight kg	Code	Effective D. (mm)	Exavation D.(mm)	S2/S1	Appr. Weight kg
03383000	600	610	25/15	535	03383400	600	610	40/25	643
03383001	650	660	25/15	566	03383401	650	660	40/25	692
03383002	700	710	25/15	604	03383402	700	710	40/25	752
03383003	750	760	25/15	637	03383403	750	760	40/25	803
03383004	800	810	25/15	681	03383404	800	810	40/25	872
03383005	850	860	25/15	725	03383405	850	860	40/25	944
03383006	900	910	25/15	748	03383406	900	910	40/25	976
03383007	950	960	25/15	799	03383407	950	960	40/25	1026
03383008	1000	1010	25/15	829	03383408	1000	1010	40/25	1104
03383009	1050	1060	30/20	982	03383409	1050	1060	40/25	1165
03383010	1100	1110	30/20	1038	03383410	1100	1110	40/25	1239
03383011	1150	1160	30/20	1177	03383411	1150	1160	40/25	1309
03383012	1200	1210	30/20	1248	03383412	1200	1210	40/25	1391

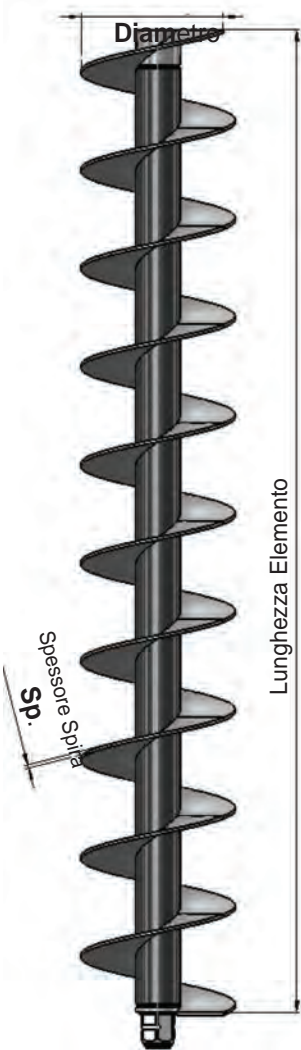
Code	Nominal D. (mm)	Exavation D.(mm)	S2/S1	Appr. Weight kg	Code	Nominal D. (mm)	Exavation D.(mm)	S2/S1	Appr. Weight kg
03383013	600	610	25/15	541	03383413	600	610	40/25	650
03383014	650	660	25/15	572	03383414	650	660	40/25	697
03383015	700	710	25/15	616	03383415	700	710	40/25	764
03383016	750	760	25/15	648	03383416	750	760	40/25	814
03383017	800	810	25/15	694	03383417	800	810	40/25	885
03383018	850	860	25/15	743	03383418	850	860	40/25	961
03383019	900	910	25/15	765	03383419	900	910	40/25	993
03383020	950	960	25/15	813	03383420	950	960	40/25	1041
03383021	1000	1010	25/15	845	03383421	1000	1010	40/25	1120
03383022	1050	1060	30/20	998	03383422	1050	1060	40/25	1181
03383023	1100	1110	30/20	1056	03383423	1100	1110	40/25	1257
03383024	1150	1160	30/20	1195	03383424	1150	1160	40/25	1327
03383025	1200	1210	30/20	1268	03383425	1200	1210	40/25	1411

Elemento Intermedio Effettivo

Light series effective 25HD5 sp.15mm

Standard series effective 25HD5 sp.20mm

Heavy series effective 25HD5 sp.25mm



Code	Nominal D. (mm)	CFA D.(mm)	Lenght (mm)	Appr. Weight kg	Code	Nominal D. (mm)	CFA D.(mm)	Lenght (mm)	Appr. Weight kg	Code	Nominal D. (mm)	CFA D.(mm)	Lenght (mm)	Appr. Weight kg
03383026	600	600	3000	731	03383426	600	600	3000	803	03384200	600	600	3000	875
03383039	600	600	4500	1006	03383435	600	600	4500	1115	03384213	600	600	4500	1223
03383052	600	600	6000	1255	03383444	600	600	6000	1391	03384226	600	600	6000	1526
03383027	650	650	3000	750	03383427	650	650	3000	829	03384201	650	650	3000	908
03383040	650	650	4500	1018	03383436	650	650	4500	1131	03384214	650	650	4500	1344
03383053	650	650	6000	1321	03383445	650	650	6000	1478	03384227	650	650	6000	1636
03383028	700	700	3000	796	03383428	700	700	3000	890	03384202	700	700	3000	984
03383041	700	700	4500	1084	03383437	700	700	4500	1218	03384215	700	700	4500	1352
03383054	700	700	6000	1412	03383446	700	700	6000	1600	03384228	700	700	6000	1788
03383029	750	750	3000	802	03383429	750	750	3000	898	03384203	750	750	3000	994
03383042	750	750	4500	1113	03383438	750	750	4500	1257	03384216	750	750	4500	1402
03383055	750	750	6000	1425	03383447	750	750	6000	1617	03384229	750	750	6000	1809
03383030	800	800	3000	847	03383430	800	800	3000	958	03384204	800	800	3000	1069
03383043	800	800	4500	1180	03383439	800	800	4500	1347	03384217	800	800	4500	1514
03383056	800	800	6000	1514	03383448	800	800	6000	1736	03384230	800	800	6000	1958
03383031	850	850	3000	894	03383431	850	850	3000	1021	03384205	850	850	3000	1148
03383044	850	850	4500	1252	03383440	850	850	4500	1442	03384218	850	850	4500	1632
03383057	850	850	6000	1609	03383449	850	850	6000	1863	03384231	850	850	6000	2117
03383032	900	900	3000	884	03383432	900	900	3000	1007	03384206	900	900	3000	1130
03383045	900	900	4500	1273	03383441	900	900	4500	1470	03384219	900	900	4500	1668
03383058	900	900	6000	1588	03383450	900	900	6000	1835	03384232	900	900	6000	2082
03383033	950	950	3000	928	03383433	950	950	3000	1066	03384207	950	950	3000	1205
03383046	950	950	4500	1344	03383442	950	950	4500	1565	03384220	950	950	4500	1786
03383059	950	950	6000	1677	03383451	950	950	6000	1954	03384233	950	950	6000	2230
03383034	1000	1000	3000	975	03383434	1000	1000	3000	1129	03384208	1000	1000	3000	1283
03383047	1000	1000	4500	1419	03383443	1000	1000	4500	1665	03384221	1000	1000	4500	1911
03383060	1000	1000	6000	1771	03383452	1000	1000	6000	2078	03384234	1000	1000	6000	2386
					03383035	1050	1050	3000	1214	03384209	1050	1050	3000	1389
					03383048	1050	1050	4500	1661	03384222	1050	1050	4500	1906
					03383061	1050	1050	6000	2109	03384235	1050	1050	6000	2424
					03383036	1100	1100	3000	1283	03384210	1100	1100	3000	1475
					03383049	1100	1100	4500	1758	03384223	1100	1100	4500	2027
					03383062	1100	1100	6000	2233	03384236	1100	1100	6000	2579
					03383037	1150	1150	3000	1355	03384211	1150	1150	3000	1565
					03383050	1150	1150	4500	1859	03384224	1150	1150	4500	2153
					03383063	1150	1150	6000	2362	03384237	1150	1150	6000	2741
					03383038	1200	1200	3000	1430	03384212	1200	1200	3000	1659
					03383051	1200	1200	4500	1964	03384225	1200	1200	4500	2284
					03383064	1200	1200	6000	2497	03384238	1200	1200	6000	2910

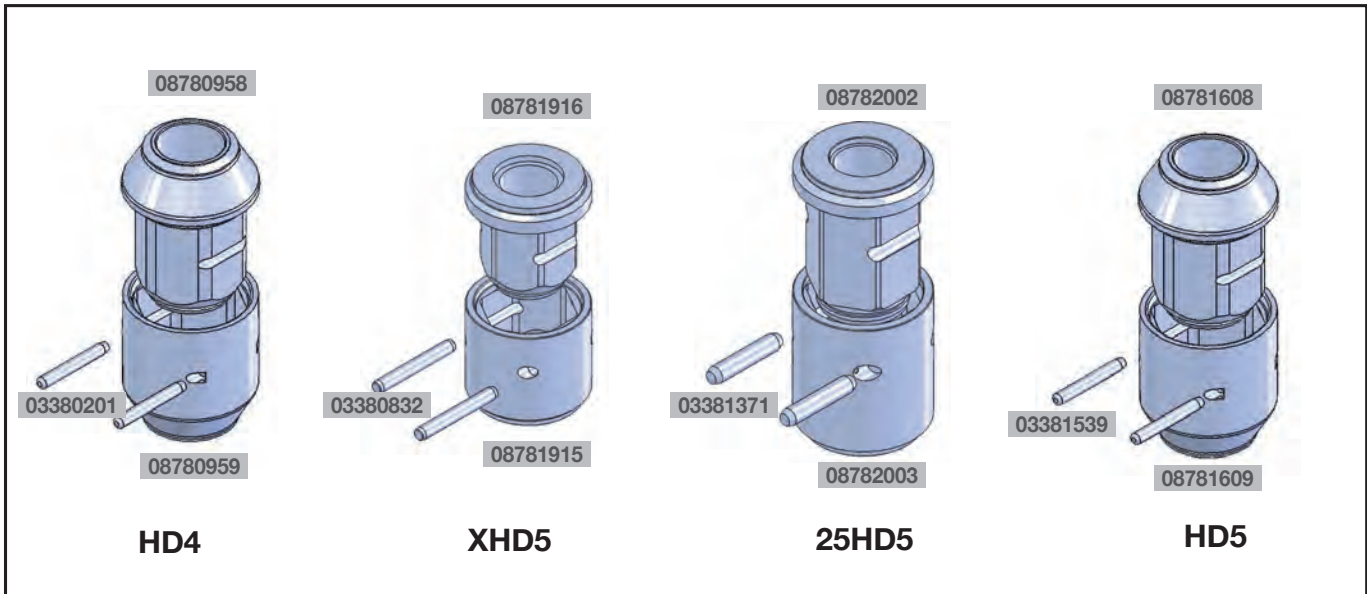
Summary table diameters and lengths available depending on the type of joint chosen.

	HD4		HD5		XHD5		25HD5	
Diam. (mm)	Intermediate Element	Bits	Intermediate Element	Bits	Intermediate Element	Bits	Intermediate Element	Bits
300								
350								
400								
450								
500								
550								
600								
650								
700								
750								
800								
850								
900								
950								
1000								
1050								
1100								
1150								
1200								
Lunghezza standard (mm)	3000 - 4500 6000	1500	3000 - 4500 6000	1500	3000 - 4500 6000	1500	3000 - 4500 6000	2000

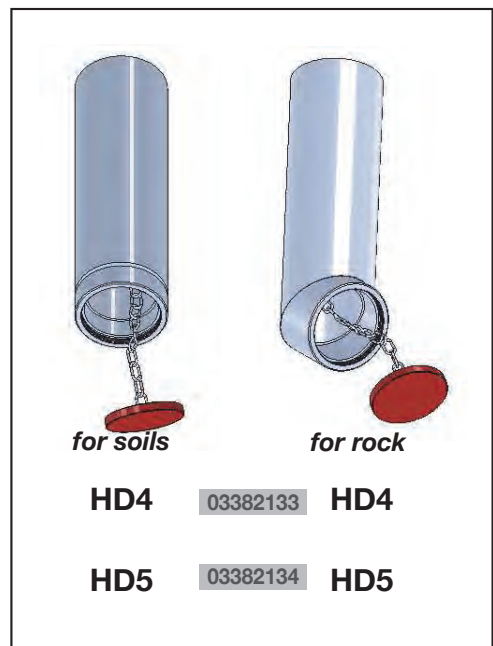
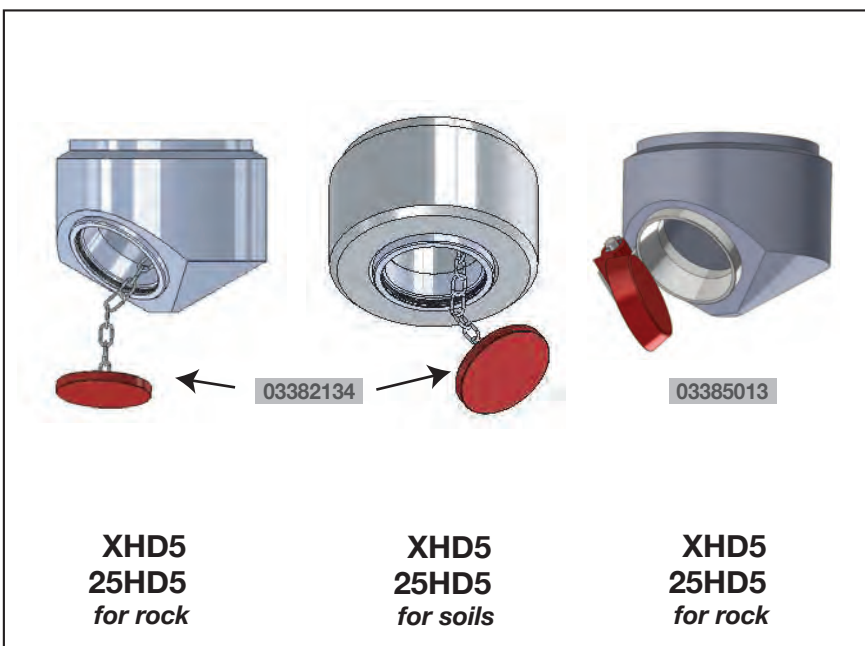



Continuous Flight Auger

Spare Parts



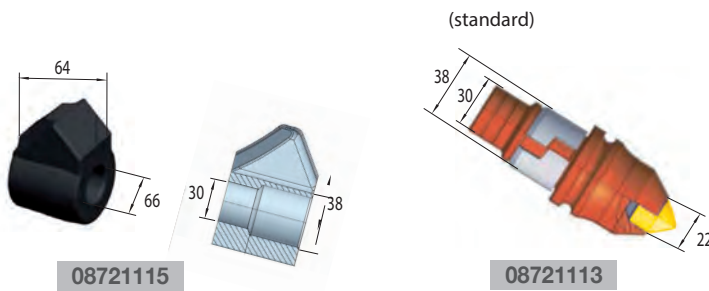
Type Joint	A(mm)	B(mm)	C (mm)
HD4	149	100 (4")	18
HD5	176	127 (5")	18
XHD5	190	127 (5")	30
25HD5	220	127 (5")	40



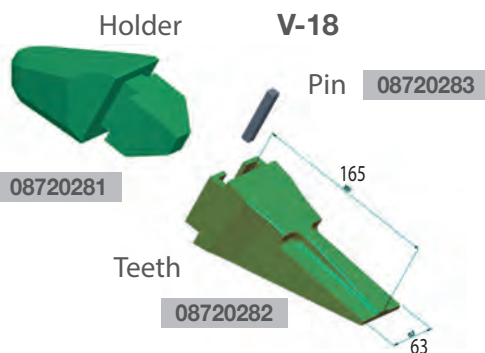


Adattatori		
Joint Fe	Joint Ma	Code
HD4	HD5	03381669
HD4	XHD5	03381699
HD5	HD4	03385017
HD5	XHD5	03381697
XHD5	HD4	03381560
XHD5	HD5	03381404
XHD5	25HD5	03381813
25HD5	HD4	03381812
25HD5	HD5	03385018
25HD5	XHD5	03381811

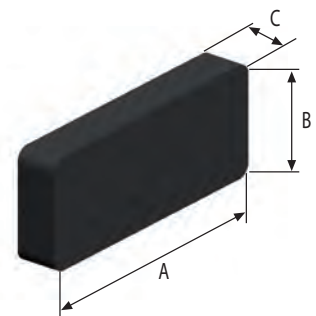
30/38 mm Shank



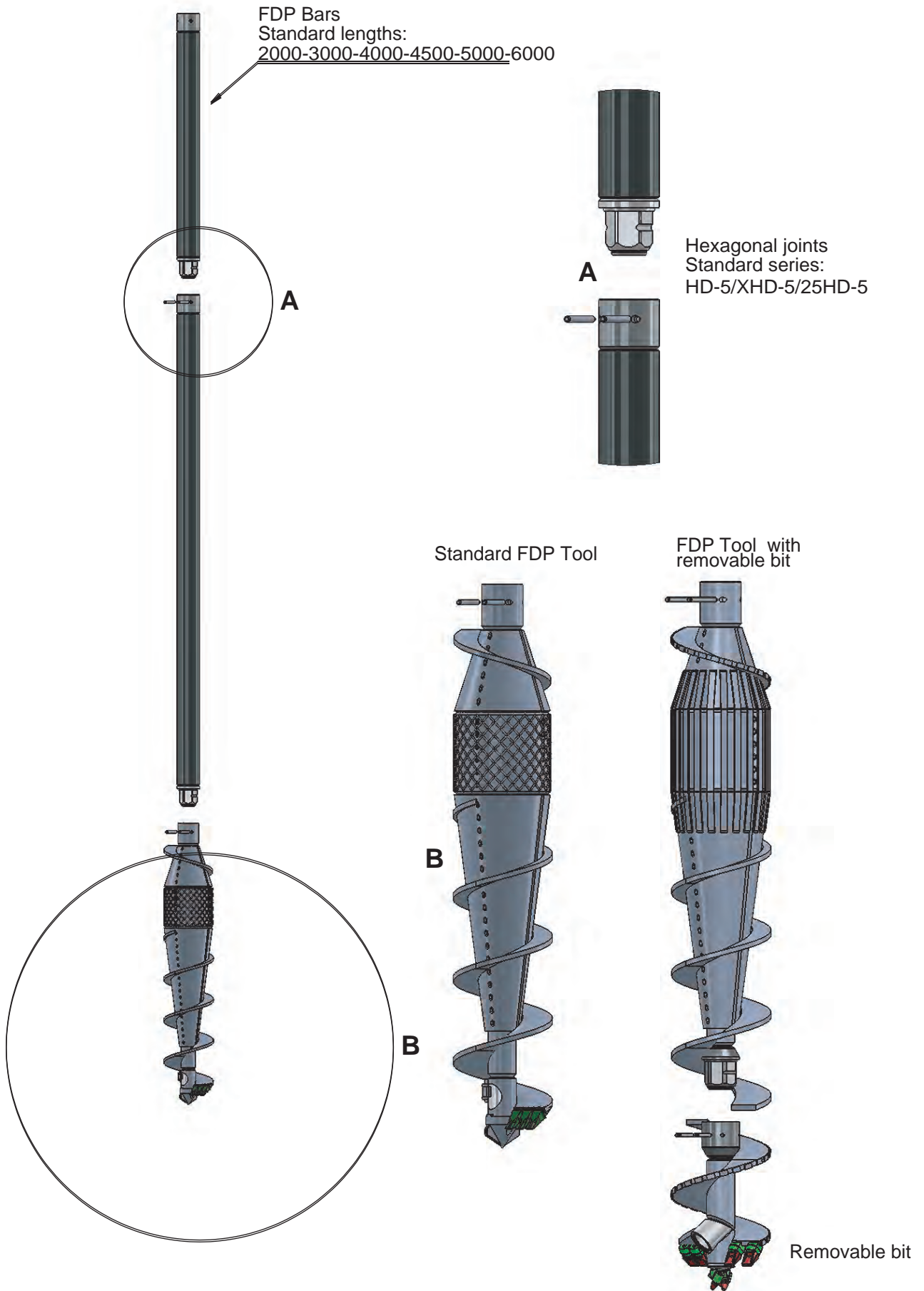
25 mm Shank



Code	A	B	C
02310404	50	30	8
02310403	70	40	8









According with CFA technology, it is possible to drill and simultaneously radial press, trough appropriate tool and cylindric rods. This means not to remove the hole material.

The special tool go though the soil by drilling and radial pressing, pushed by rotary desk torque, weight desk and /or crowd system.

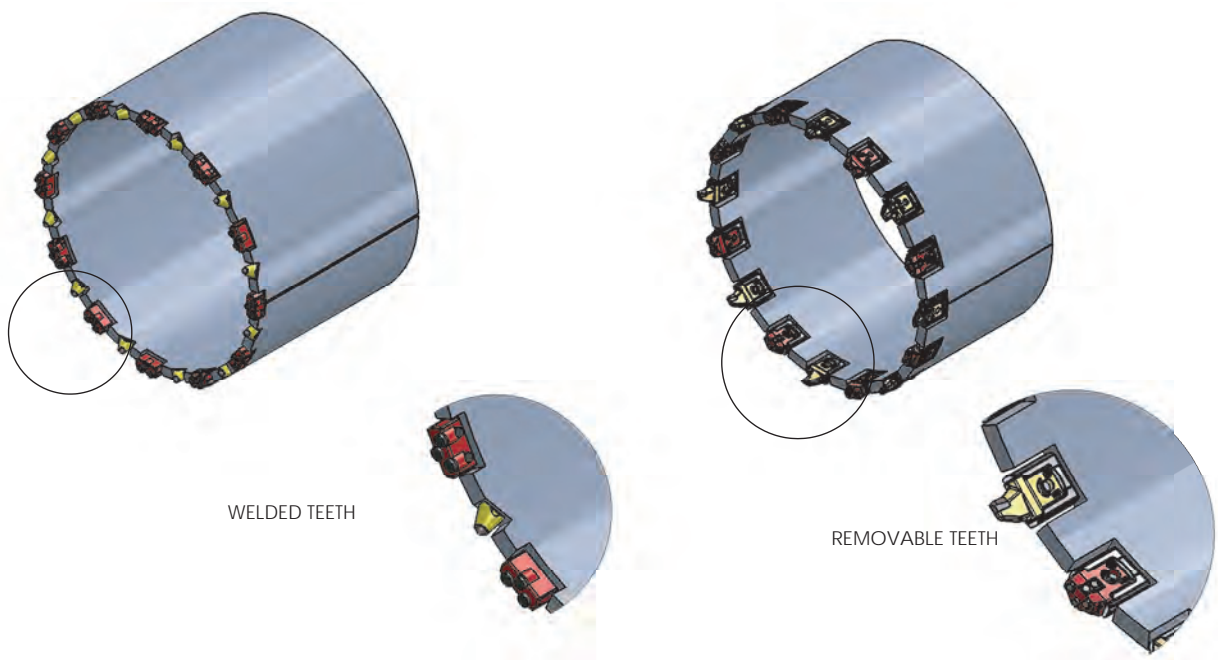
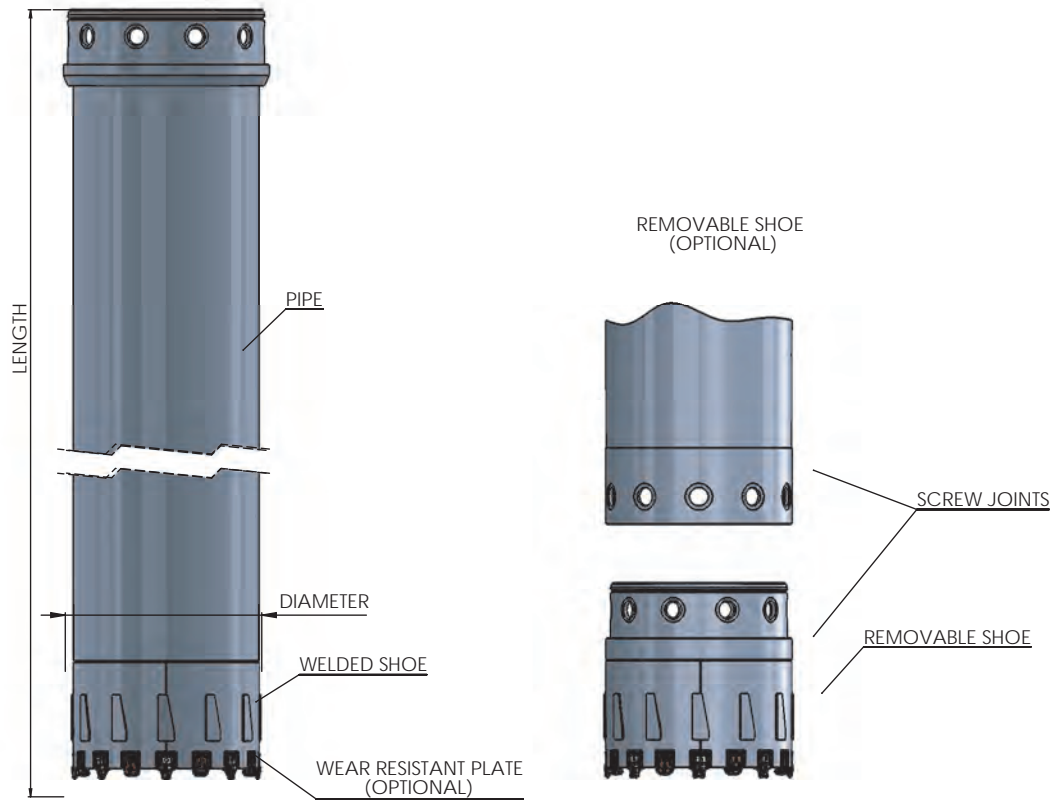
Advantges.

Radial hole pression increases pile load capacity.

The absence of removed material means coast reduction (expecially in contaminated areas) and cleaned job site area.

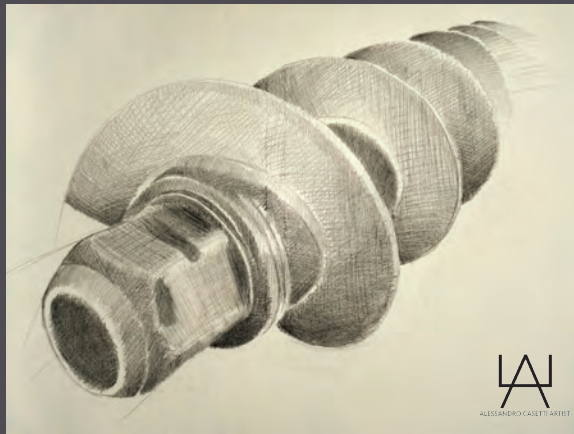
Conical tool design cut the soil first and press it to radial surface. This tecnology is only indicated for selected soils type.

Concrete is pumped by inner tod hole like CFA.



DIAMETERS, LENGTHS AND TEETH TYPE AS CUSTOMER REQUESTS





Augers Tools 01/2018



CM Mazzoni S.r.l. Via Pantano, 50 - 47010 Galeata (FC) Italy - www.cmmazzoni.it - Tel. +39 0543 983646